



PARTS CATALOG

P R E F A C E

1. This parts catalog is the 1st edition of L48N5SJ1C1AARS

Pub.No. : 0CR10-G84200

Published : March, 2012

2. Model name

Engine model	Vehicle	Vehicle made by
L48N5SJ1C1AARS	CONCRETE MIXER	

Directions for the Parts Catalog.

1. This Parts Catalog shows both standard and optional parts.
2. Parts may change without prior notice.
3. The following is an example of the Parts Catalog format.

REF.	LEV.	PARTS NO.	DESCRIPTION	Q'TY						I	R
				(A)	(B)	(C)	(D)	(E)	(F)		
1	1	729595-51390	FUEL INJECTION PUMP	1	1	1	1	1			1
1-1	1	729595-51391	FUEL INJECTION PUMP	1	1	1	1	1		N	1
		(A=E00185) (B=E00200)									
3	2	26022-060162	SCREW M 6X 16	9	9	9	9	9			
3-1	2	26022-060162	SCREW M 6X 16	4	4	4	4	4		K	
		(A=E00156) (B=E00156) (C=E00156) (D=E00156) (E=E00156)									
4	2	129470-51040	CAMSHAFT	1	1	1	1	1			
5	2	122710-51050	BEARING, ROLLER	2	2	2	2	2			
6	2	129470-51060	RETAINER	1	1	1	1	1			

Remarks
(1) BOOST COMPEMSATOR TYPE. OPTIONAL PART, TO E00155,(4JH-DT, 4JH-DTZ

① Ref. No.

The Ref. No. listed may not be in accordance with the illustration Ref. No.

(Ex.) Illustration No.

List Ref No.

1

1

(Before change)

1-1

(After change)

For interchangeable symbols N, R and K, illustrations for new parts may be abbreviated.

② Lev. (Level)

Level indication

The numbers below indicate the level of relativity towards the main part.

1 ----- Main parts (Assembly parts)

2 ----- Sub component included in " 1 ".

3 ----- Sub component included in " 2 ".

Note) Parts that are not for sale are partially illustrated but not listed.

③ Interchangeability Symbol

When a part change takes place, one of the following interchangeability symbols is indicated beside the part.

Symbol	Interchangeability	Contents note
N	Old $\begin{matrix} \leftarrow \text{Yes} \\ \text{No} \rightarrow \end{matrix}$ New	New Part is interchangeable for Old Part but Old Part is not interchangeable for New Part.
Q	Old $\begin{matrix} \leftarrow \text{No} \\ \text{Yes} \rightarrow \end{matrix}$ New	New Part is not interchangeable for Old Part but Old Part is interchangeable for New Part.
R	Old $\begin{matrix} \leftarrow \text{Yes} \\ \text{Yes} \rightarrow \end{matrix}$ New	New/ Old Parts are both interchangeable.
S	Old $\begin{matrix} \leftarrow \text{No} \\ \text{No} \rightarrow \end{matrix}$ New	New/ Old Parts are both not interchangeable.
W		Part newly added.
Z		Part discontinued.
F		Not interchangeable by a single part but interchangeable together with related parts.
K		Changes only for used parts quantities.

④ Effective Machine No.

When a part changes, the effective Machine No. will be indicated in the (A)-(F) column.

Product Symbol	Product No.	Product Symbol	Product No.
C	Clutch No. Compressor No.	F	Machine No. (Agricultural Equip.)
D	Drive No.	M	Machine No.
E	Engine No.		

Note 1) A date may follow the symbol. (Ex.) 1996.01

Note 2) "XXXXX" and "ZZZZZ" are for parts that could not be predicted or for engine models that could not be identified.

Note 3) (A=E00185) is the E (Engine Serial Number) for the column (A) model (in this case 4JH-DT) after the parts design change.

⑤ Remarks

Figures or alphabets (symbols) are entered in the remarks column.

The comments (remarks) on parts that are indicated at the bottom of the illustration are the same symbols as those stated above.

CONTENTS

MODEL : L48N5SJ1C1AARS

PC NO : 0CR10-G84200

Fig.No.	GROUP NAME
L48N5SJ1C1AARS	
1.	CYLINDER BLOCK
2.	DRAIN PLUG
3.	LABEL
4.	CYLINDER HEAD & BONNET
5.	INTAKE MANIHOLD
6.	AIR CLEANER
7.	EXHAUST MUFFLER
8.	CAMSHAFT
9.	CRANKSHAFT
10.	FLYWHEEL
11.	PISTON & CONNECTING ROD
12.	BALANCER SHAFT
13.	LUB.OIL PUMP & GOVERNOR
14.	OIL PRESSURE SWITCH CAP
15.	COVER
16.	COOLING FAN CASE
17.	F.I.PUMP & F.I.VALVE
18.	FUEL TANK & FUEL PIPE
19.	SPEED CONTROL DEVICE
20.	RECOIL STARTER
21.	STARTING MOTOR
22.	ELECTRICAL EQUIPMENT
23.	DYNAMO
24.	ACCESSORIES
25.	TOOL & GASKET SET

Fig.No. GROUP NAME

Fig.1. CYLINDER BLOCK

(A)=L48N5SJ1C1AARS

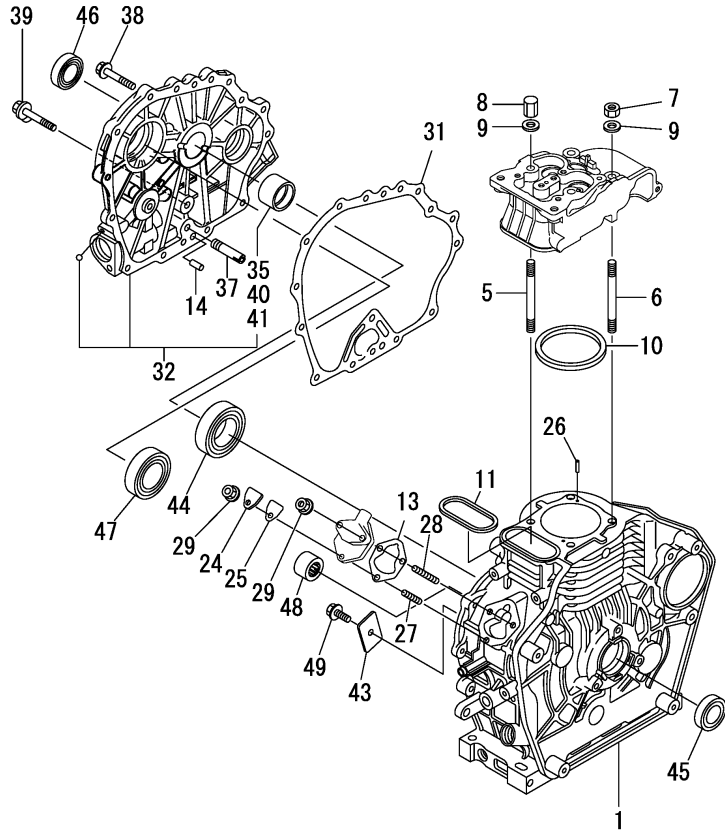
(B)=

(C)=

(D)=

(E)=

(F)=



REF.	LEV.	PARTS NO.	DESCRIPTION	Q'TY						I	R
				(A)	(B)	(C)	(D)	(E)	(F)		
1	1	11429C-01020	CYLINDER BLOCK ASSY	1							
5	1	114299-01200	BOLT	2							
6	1	114299-01210	BOLT	2							
7	1	114299-01220	NUT	2							
8	1	114299-01230	NUT	2							
9	1	124950-01250	WASHER	4							
10	1	114295-01340	GASKET, HEAD 0.5	1							
11	1	114299-01380	O-RING	1							
12	1	114299-01600	PIN, 8X12	2							
13	1	114299-01800	SHIM SET	1							
24	1	114299-01830	COVER	1							
25	1	114250-01841	GASKET	1							
26	1	22312-040080	PARALLEL PIN, M4X8	2							
27	1	26226-060182	STUD M 6X 18 PLATED	1							
28	1	26226-060222	STUD M 6X 22 PLATED	2							
29	1	26366-060002	NUT M 6	3							
31	1	114299-01410	GASKET	1							
32	1	114299-01470	COVER(RS),CRANK CASE	1							
35	2	114250-02100	BEARING, MAIN	1							1
37	1	114299-35150	PIPE	1							
38	1	26106-060252	BOLT M 6X 25 PLATED	14							
39	1	26106-080352	BOLT M 8X 35 PLATED	1							
40	1	114250-02200	BEARING, 0.25	1							2
41	1	114250-02210	BEARING, 0.50	1							3
43	1	114299-02030	RETAINER	1							
44	1	114250-02113	BEARING	1							
45	1	114299-02220	SEAL	1							
46	1	160210-02220	SEAL	1							
47	1	24101-062050	BALL BEARING	1							
48	1	24162-152112	NEEDLE BEARING	1							
49	1	26106-080122	BOLT M 8X 12 PLATED	1							

Remarks

(1)Spare parts.

(2)Under sized(U.S.=0.25)parts.

(3)Under sized(U.S.=0.50)parts.

Fig.3. LABEL

(A)=L48N5SJ1C1AARS

(B)=

(C)=

(D)=

(E)=

(F)=

REF.	LEV.	PARTS NO.	DESCRIPTION	Q'TY						I	R
				(A)	(B)	(C)	(D)	(E)	(F)		
2	1	114220-07100	LABEL, CAUTION	1							
3	1	114299-07101	LABEL, YANMAR MARK A	1							
4	1	114220-07110	LABEL HOW TO START-E	1							
5	1	114299-07111	LABEL, YANMAR MARK B	1							
6	1	114299-07160	LABEL, DIESEL	1							
11	1	114220-07130	LABEL, HOT SURFACE	1							

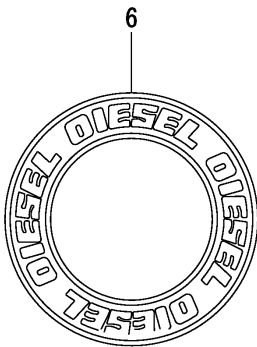
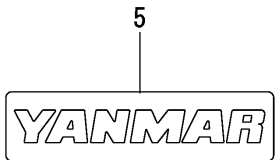
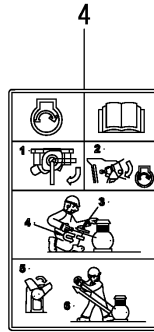
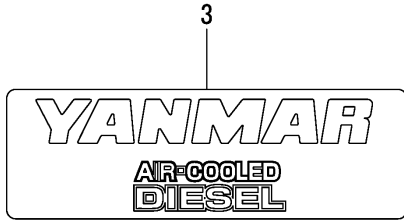
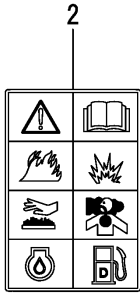


Fig.4. CYLINDER HEAD & BONNET

(A)=L48N5SJ1C1AARS

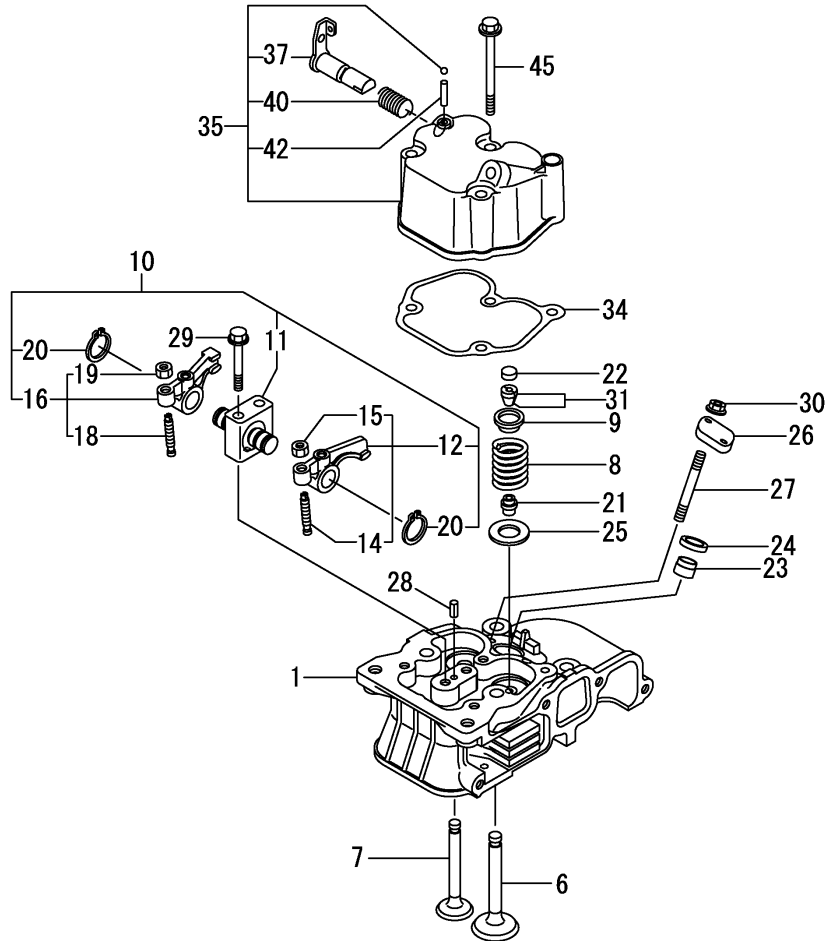
(B)=

(C)=

(D)=

(E)=

(F)=



REF.	LEV.	PARTS NO.	DESCRIPTION	Q'TY						I	R
				(A)	(B)	(C)	(D)	(E)	(F)		
1	1	11429C-11030	HEAD ASSY, CYLINDER	1							
6	1	11429C-11100	VALVE	1							
7	1	11429C-11110	VALVE	1							
8	1	114299-11120	SPRING	2							
9	1	114250-11180	RETAINER	2							
10	1	11429C-11250	SUPPORT ASSY	1							
11	2	11429C-11260	SUPPORT	1							
12	2	11429C-11650	ARM ASSY, ROCKER	1							
14	3	114250-11240	SCREW	1							
15	3	26856-060002	NUT, M6	1							
16	2	11429C-11660	ARM ASSY, ROCKER	1							
18	3	114250-11240	SCREW	1							
19	3	26856-060002	NUT, M6	1							
20	2	22242-000120	CIRCLIP 12	2							
21	1	114250-11341	SEAL, VALVE STEM	2							
22	1	119260-11370	CAP	2							
23	1	114240-11450	PROTECTOR	1							
24	1	114240-11550	SEAT	1							
25	1	114299-11600	WASHER, VALVE SPRING	2							
26	1	114299-11901	RETAINER	1							
27	1	114110-11910	STUD	2							
28	1	22351-040008	SPRING PIN 4X 8	1							
29	1	26106-060452	BOLT M 6X 45 PLATED	2							
30	1	26366-060002	NUT M 6	2							
31	1	27310-055001	COTTER, 5.5	2							
34	1	114771-11310	GASKET	1							
35	1	114295-11951	BONNET ASSY, HEAD	1							
37	2	114250-03591	LEVER ASSY	1							
40	2	114299-03640	SPRING	1							
42	2	22312-030160	PARALLEL PIN, M3X16	1							
45	1	26106-060552	BOLT M 6X 55 PLATED	3							

Fig.5. INTAKE MANIHOLD

OCR10-G84200 5. INTAKE MANIHOLD

(A)=L48N5SJ1C1AARS

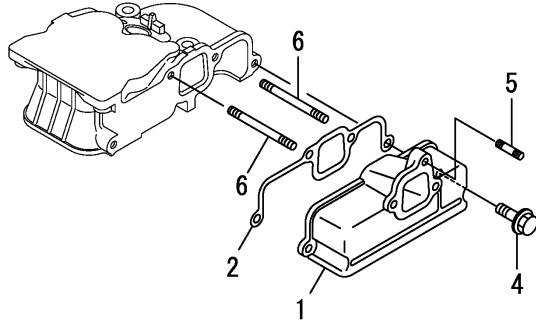
(B)=

(C)=

(D)=

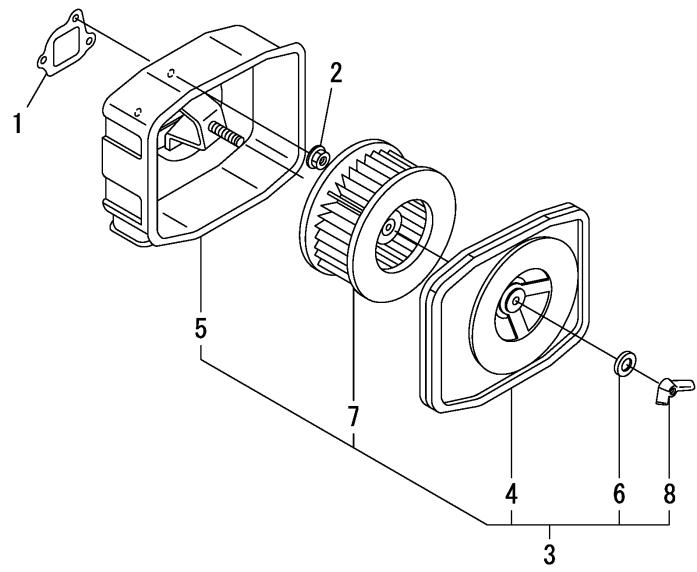
(E)=

(F)=



REF.	LEV.	PARTS NO.	DESCRIPTION	Q'TY						I	R
				(A)	(B)	(C)	(D)	(E)	(F)		
1	1	114771-12010	PIPE	1							
2	1	114771-12200	GASKET	1							
4	1	26106-060252	BOLT M 6X 25 PLATED	2							
5	1	26226-060142	STUD M 6X 14 PLATED	1							
6	1	26226-060602	STUD, M6X60	2							

Fig.6. AIR CLEANER



OCR10-G84200 6. AIR CLEANER

(A)=L48N5SJ1C1AARS
(B)=
(C)=

(D)=
(E)=
(F)=

REF.	LEV.	PARTS NO.	DESCRIPTION	Q'TY						I	R
				(A)	(B)	(C)	(D)	(E)	(F)		
1	1	114299-12210	GASKET	1							
2	1	114299-12300	NUT	3							
3	1	114120-12550	CLEANER ASSY, AIR	1							
4	2	114250-12520	COVER	1							
5	2	114250-12530	CASE ASSY	1							
6	2	114250-12560	WASHER	1							
7	2	114250-12581	ELEMENT	1							
8	1	114250-12550	NUT,WING	1							

Fig.7. EXHAUST MUFFLER

(A)=L48N5SJ1C1AARS

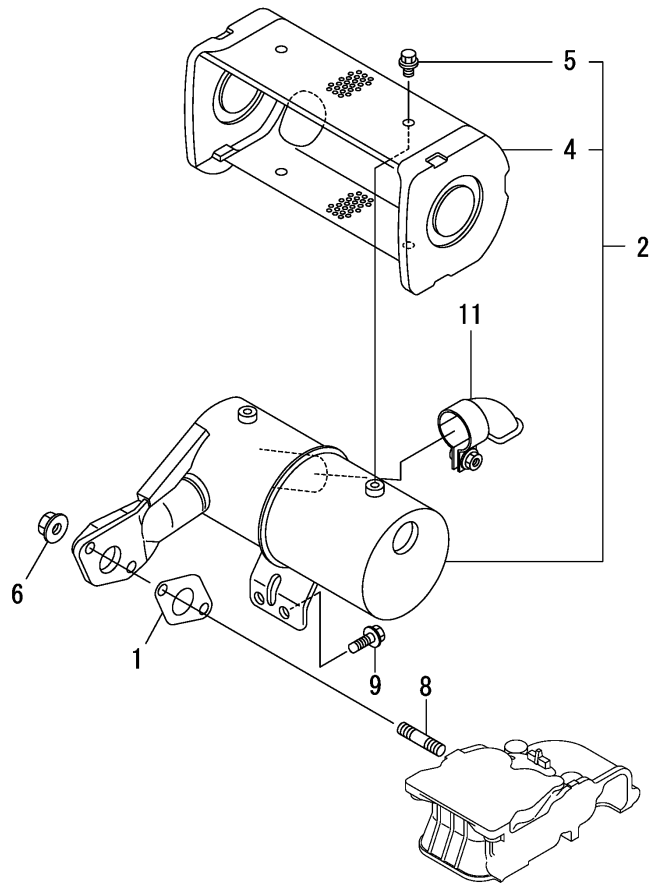
(B)=

(C)=

(D)=

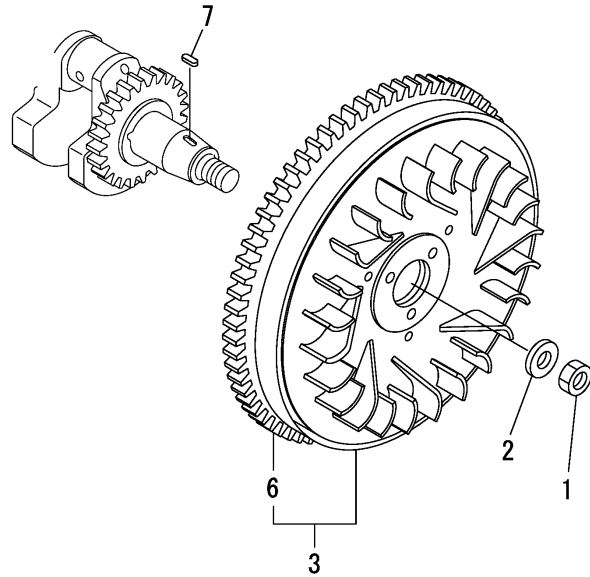
(E)=

(F)=



REF.	LEV.	PARTS NO.	DESCRIPTION	Q'TY						I	R
				(A)	(B)	(C)	(D)	(E)	(F)		
1	1	114299-13200	GASKET	1							
2	1	11429C-13500	MUFFLER ASSY	1							
4	2	11429C-13700	COVER	1							
5	2	11431C-13720	BOLT	4							
6	1	26106-060142	BOLT M 6X 14 PLATED	2							
8	1	26216-080182	STUD M 8X 18 PLATED	2							
9	1	26366-080002	NUT M 8	2							
11	1	114299-13800	EXTENSION ASSY	1							

Fig.10. FLYWHEEL



OCR10-G84200 10. FLYWHEEL

(A)=L48N5SJ1C1AARS

(B)=

(C)=

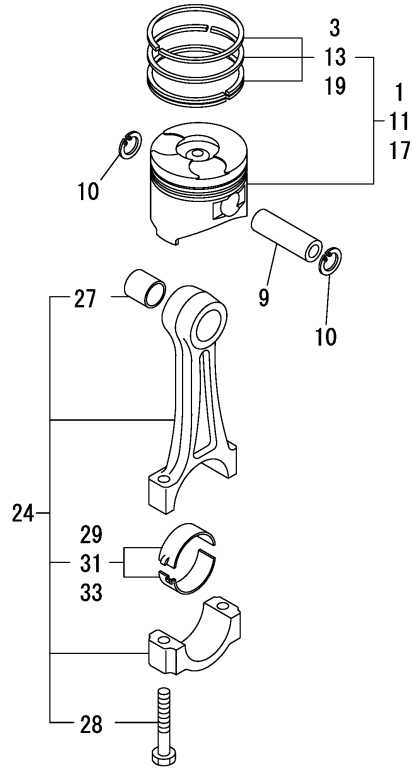
(D)=

(E)=

(F)=

REF.	LEV.	PARTS NO.	DESCRIPTION	Q'TY						I	R
				(A)	(B)	(C)	(D)	(E)	(F)		
1	1	114299-21220	NUT	1							
2	1	114299-21550	WASHER	1							
3	1	114299-21590	FLYWHEEL ASSY	1							
6	2	114299-21600	GEAR, RING	1							
7	1	22512-040120	KEY, 4X12	1							

Fig.11. PISTON & CONNECTING ROD



OCR10-G84200 11. PISTON & CONNECTING ROD

(A)=L48N5SJ1C1AARS

(B)=

(C)=

(D)=

(E)=

(F)=

REF.	LEV.	PARTS NO.	DESCRIPTION	Q'TY						I	R
				(A)	(B)	(C)	(D)	(E)	(F)		
1	1	714120-22720	PISTON W/RINGS (D)	1							
3	2	714295-22500	RING SET	1							
9	1	114299-22300	PIN	1							
10	1	22252-000190	CIRCLIP 19	2							
11	1	714120-22630	PISTON ASSY, 0.25 OS	1							1
13	2	714295-22560	RING SET, 0.25 OS	1							1
17	1	714120-22590	PISTON ASSY, 0.50 OS	1							2
19	2	714295-22570	RING SET, 0.50 OS	1							2
24	1	71429C-23010	ROD ASSY	1							
27	2	114770-23100	BEARING	1							
28	2	114110-23200	BOLT, CONNECTING ROD	2							
29	2	714770-23600	BEARING	1							
31	1	714770-23610	BEARING ASSY, 0.25	1							3
33	1	714770-23620	BEARING, 0.50	1							4

Remarks

- (1)Over size(O.S.=0.25)parts.
- (2)Over size(O.S.=0.50)parts.
- (3)Under size(U.S.=0.25)parts.
- (4)Under size(U.S.=0.50)parts.

Fig.12. BALANCER SHAFT

OCR10-G84200 12. BALANCER SHAFT

(A)=L48N5SJ1C1AARS

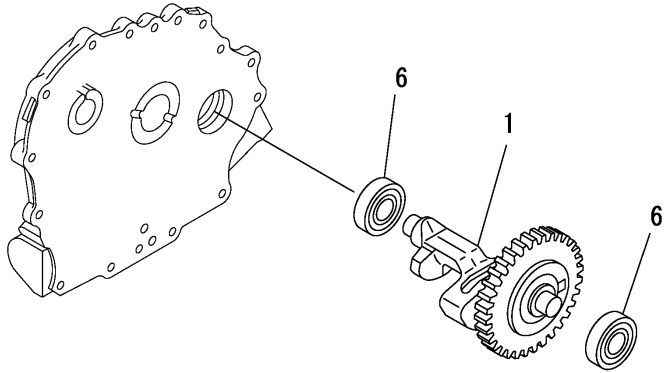
(B)=

(C)=

(D)=

(E)=

(F)=



REF.	LEV.	PARTS NO.	DESCRIPTION	Q'TY						I	R
				(A)	(B)	(C)	(D)	(E)	(F)		
1	1	714770-28531	SHAFT ASSY	1							
6	1	24101-062020	BALL BEARING	2							

Fig.13. LUB.OIL PUMP & GOVERNOR

(A)=L48N5SJ1C1AARS

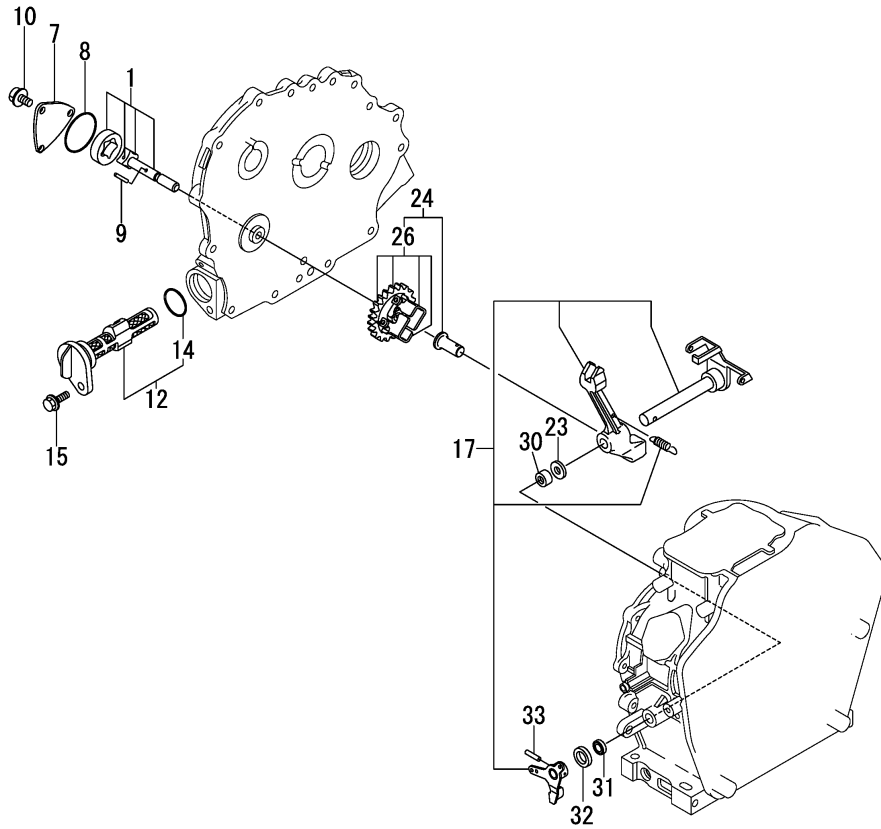
(B)=

(C)=

(D)=

(E)=

(F)=



REF.	LEV.	PARTS NO.	DESCRIPTION	Q'TY						I	R
				(A)	(B)	(C)	(D)	(E)	(F)		
1	1	114250-32010	PUMP ASSY	1							
7	1	114299-32070	COVER	1							
8	1	114299-32570	O-RING	1							
9	1	22312-030160	PARALLEL PIN, M3X16	1							
10	1	26106-060122	BOLT M 6X 12 PLATED	3							
12	1	114299-35110	FILTER ASSY	1							
14	2	24341-000224	O-RING 1A S-22.4	1							
15	1	26106-060162	BOLT M 6X 16 PLATED	1							
17	1	114295-61170	LEVER ASSY, GOVERNOR	1							1
23	1	114299-61190	WASHER	1							
24	1	714299-61701	GOVERNOR ASSY	1							
26	2	114299-61210	WEIGHT ASSY	1							
30	1	114770-61520	BEARING, NEEDLE	2							
31	1	114299-61600	SEAL	1							
32	1	114770-61610	WASHER	1							
33	1	22322-030200	TAPER PIN, 3X20	1							

Remarks

(1) On a guarantee of quality component parts shall not be sold.

Fig.16. COOLING FAN CASE

(A)=L48N5SJ1C1AARS

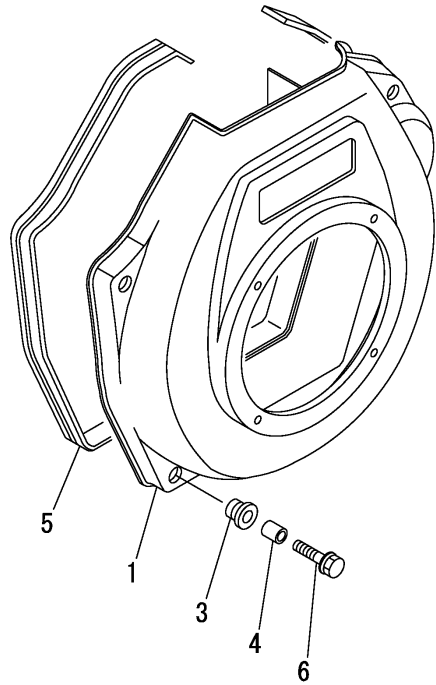
(B)=

(C)=

(D)=

(E)=

(F)=



REF.	LEV.	PARTS NO.	DESCRIPTION	Q'TY						I	R
				(A)	(B)	(C)	(D)	(E)	(F)		
1	1	114295-45150	CASE, COOLING FAN	1							
3	1	114299-45301	RUBBER, CUSHION	4							
4	1	114299-45310	COLLAR	4							
5	1	114120-45330	SEAL, FAN CASE	1							
6	1	114299-45350	BOLT, FAN CASE	4							

Fig.17. F.I.PUMP & F.I.VALVE

(A)=L48N5SJ1C1AARS

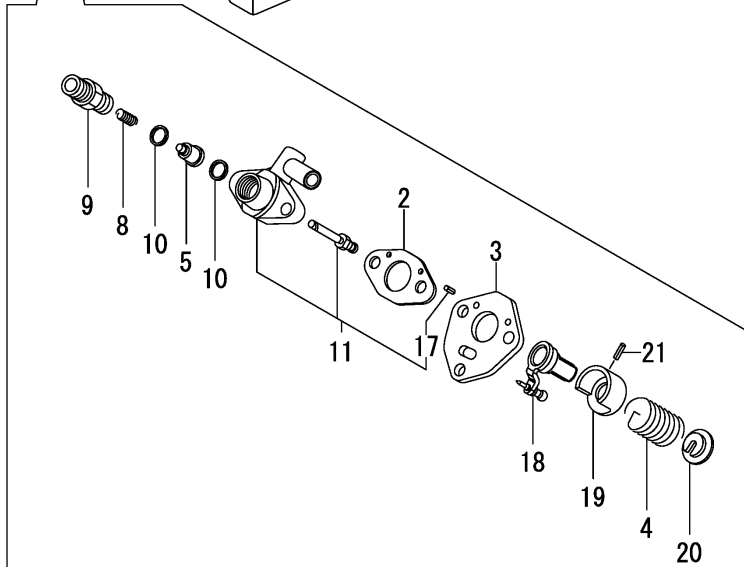
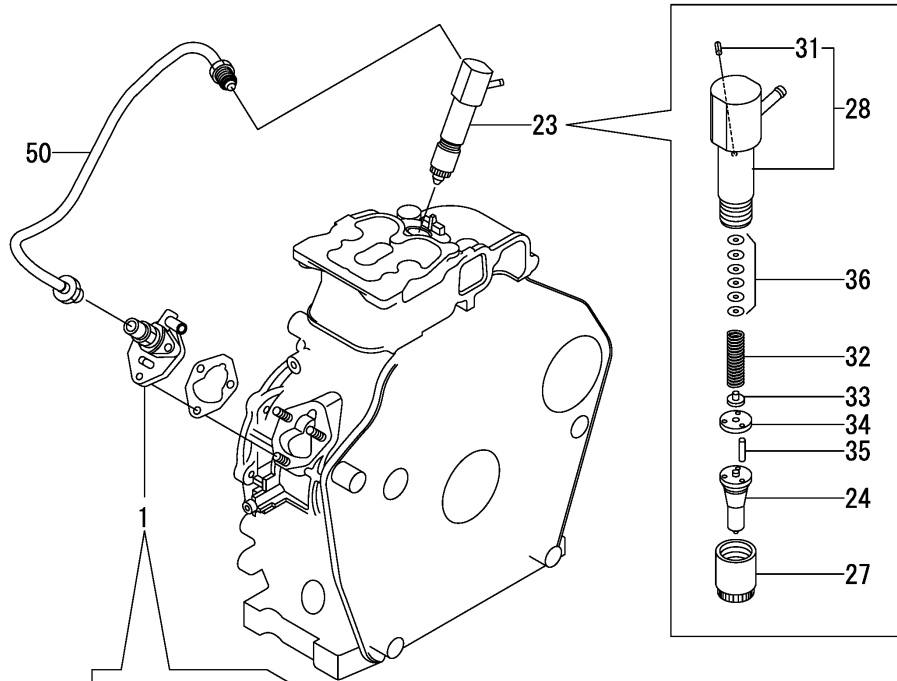
(B)=

(C)=

(D)=

(E)=

(F)=



REF.	LEV.	PARTS NO.	DESCRIPTION	Q'TY						I	R
				(A)	(B)	(C)	(D)	(E)	(F)		
1	1	714139-51210	F.I.PUMP ASSY	1							
2	2	105546-51020	GASKET	1							
3	2	114250-51080	PLATE	1							
4	2	114250-51160	SPRING	1							
5	2	114250-51300	VALVE ASSY	1							
8	2	105546-51330	SPRING	1							
9	2	114250-51340	HOLDER	1							
10	2	124550-51350	GASKET	2							
11	2	114350-51200	BODY ASSY	1							
17	4	22351-020006	SPRING PIN 2X 6	2							
18	2	114250-51500	LEVER,CONTROL	1							
19	2	114250-51640	SEAT	1							
20	2	114250-51650	SEAT	1							
21	2	22351-030008	SPRING PIN 3X 8	1							
23	1	714139-53200	VALVE ASSY,INJECTION	1							
24	2	114139-53200	NOZZLE ASSY	1							
27	2	114250-53080	NUT	1							
28	2	114139-53100	HOLDER ASSY	1							
31	3	22351-025005	SPRING PIN 2.5AX 6	1							
32	2	114250-53120	SPRING	1							
33	2	114250-53130	SEAT	1							
34	2	114250-53140	PLATE	1							
35	2	114250-53210	PIN	2							
36	2	114250-53400	SHIM SET	1							
50	1	114120-59800	PIPE ASSY, INJECTION	1							

Fig.18. FUEL TANK & FUEL PIPE

(A)=L48N5SJ1C1AARS

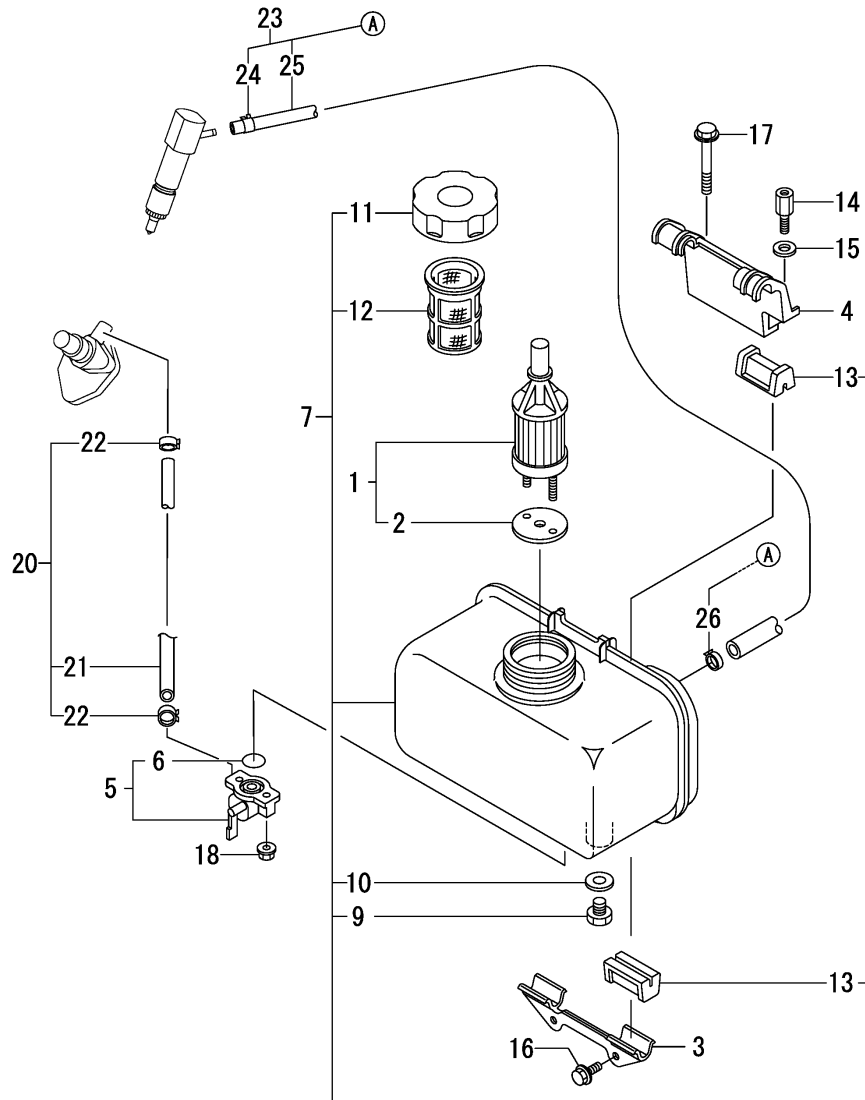
(B)=

(C)=

(D)=

(E)=

(F)=



REF.	LEV.	PARTS NO.	DESCRIPTION	Q'TY						I	R
				(A)	(B)	(C)	(D)	(E)	(F)		
1	1	114250-55121	FILTER ASSY	1							
2	2	114250-55130	GASKET	1							
3	1	114299-55210	STAY	1							
4	1	114299-55230	STAY	1							
5	1	114250-55301	COCK ASSY	1							
6	2	24341-000150	O-RING 1A S-15.0	1							
7	1	11429C-55710	TANK,FUEL	1							
9	2	114299-55080	PLUG, DRAIN	1							
10	2	23414-080000	GASKET 8, ROUND	1							
11	2	114299-55040	CAP ASSY, FUEL TANK	1							
12	2	114299-55100	FILTER, FUEL OIL	1							
13	2	114250-55201	DAMPER	4							
14	1	114299-55810	BOLT, LIFTING	1							
15	1	22117-080000	WASHER 8	1							
16	1	26106-060162	BOLT M 6X 16 PLATED	2							
17	1	26106-080452	BOLT M 8X 45 PLATED	1							
18	1	26366-060002	NUT M 6	2							
20	1	114780-59010	PIPE ASSY	1							
21	2	114780-59060	PIPE	1							
22	2	23080-014000	CLAMP 14	2							
23	1	114120-59300	PIPE ASSY, RETURN	1							
24	2	124722-59050	CLIP	1							
25	2	114650-59060	PIPE	1							
26	2	124066-59100	CLIP	1							

Fig.19. SPEED CONTROL DEVICE

(A)=L48N5SJ1C1AARS

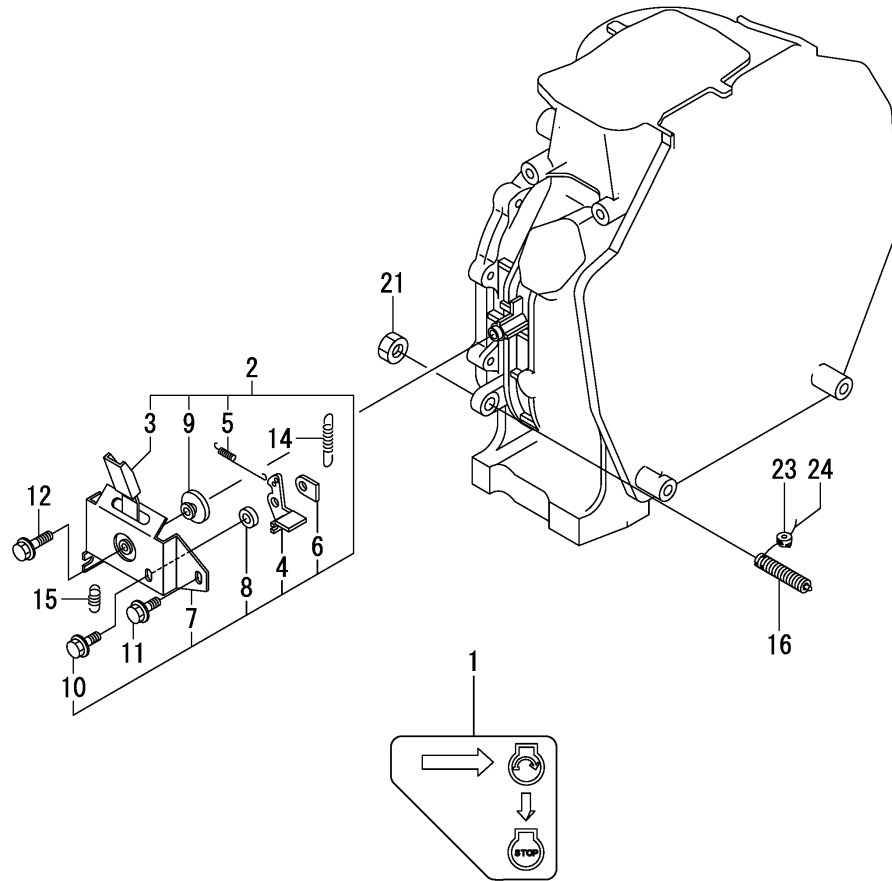
(B)=

(C)=

(D)=

(E)=

(F)=



REF.	LEV.	PARTS NO.	DESCRIPTION	Q'TY						I	R
				(A)	(B)	(C)	(D)	(E)	(F)		
1	1	114220-07150	LABEL, CONSTANT SPEE	1							
2	1	114210-66511	BRACKET CMP,REGULATO	1							
3	2	114210-66300	HANDLE	1							
4	2	183250-66321	LEVER	1							
5	2	114210-66330	SPRING,LOCK LEVER	1							
6	2	183250-66341	NUT	1							
7	2	114210-66350	BRACKET	1							
8	2	183250-66361	COLLAR	1							
9	2	183250-66371	COLLAR	1							
10	2	26106-060162	BOLT M 6X 16 PLATED	1							
11	1	26106-060142	BOLT M 6X 14 PLATED	1							
12	1	26106-060202	BOLT M 6X 20 PLATED	1							
14	1	114770-66010	SPRING	1							
15	1	114299-66200	SPRING	1							
16	1	114211-66600	LIMITER ASSY, FUEL	1							
21	1	26776-100002	LOCK NUT M10 PLATED	1							
23	1	114780-61090	TIN	1							
24	1	22451-060000	WIRE, 0.6	1							

Fig.20. RECOIL STARTER

(A)=L48N5SJ1C1AARS

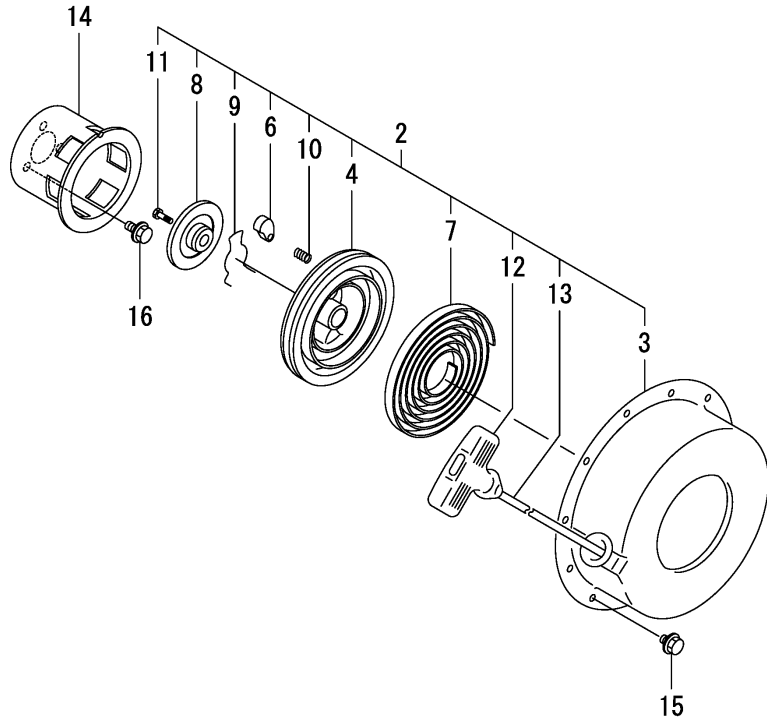
(B)=

(C)=

(D)=

(E)=

(F)=



REF.	LEV.	PARTS NO.	DESCRIPTION	Q'TY						I	R
				(A)	(B)	(C)	(D)	(E)	(F)		
2	1	114299-76250	STARTER ASSY	1							
3	2	114299-76500	CASE, STARTER	1							
4	2	114299-76521	REEL	1							
6	2	114399-76531	RATCHET	1							
7	2	114399-76540	SPRING	1							
8	2	114399-76550	COVER	1							
9	2	114399-76560	SPRING	1							
10	2	114399-76570	SPRING	1							
11	2	114399-76580	SCREW	1							
12	2	114399-76620	KNOB	1							
13	2	114299-76630	ROPE,STARTER	1							
14	1	114299-76590	PULLEY	1							
15	1	26106-060082	BOLT M 6X 8 PLATED	4							
16	1	26106-060122	BOLT M 6X 12 PLATED	3							

Fig.21. STARTING MOTOR

(A)=L48N5SJ1C1AARS

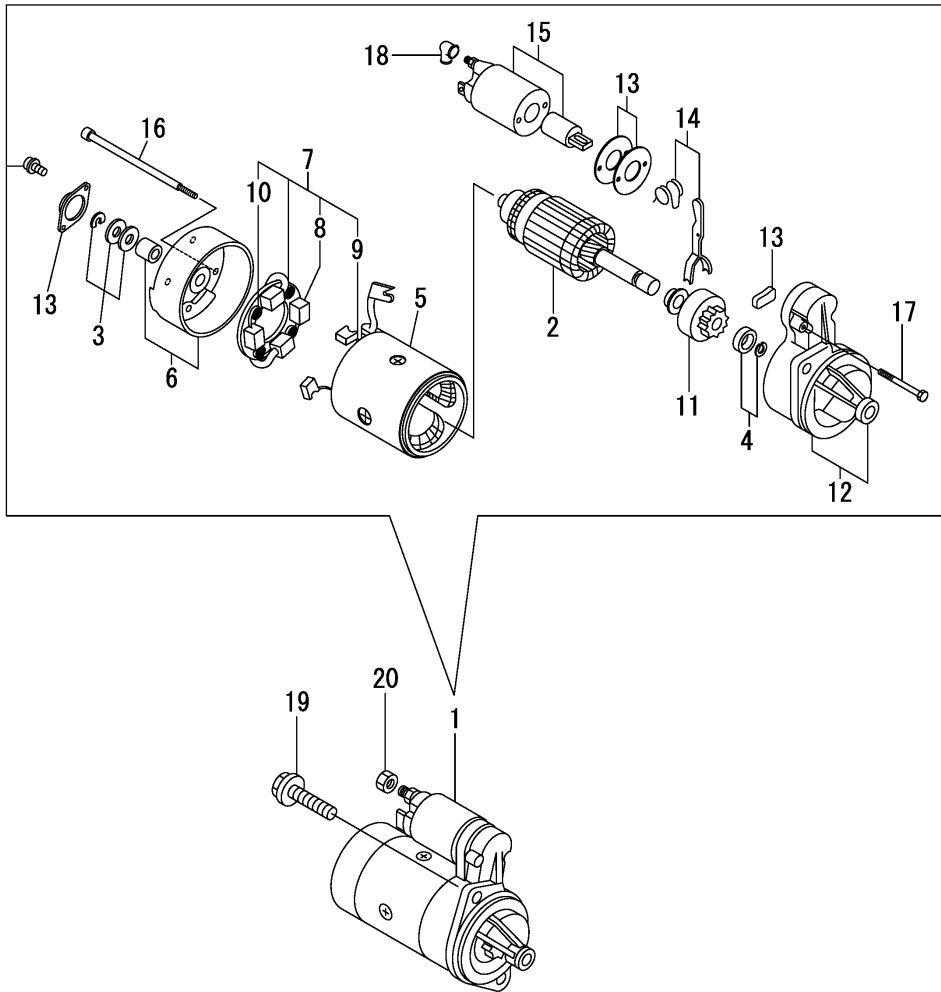
(B)=

(C)=

(D)=

(E)=

(F)=



REF.	LEV.	PARTS NO.	DESCRIPTION	Q'TY						I	R
				(A)	(B)	(C)	(D)	(E)	(F)		
1	1	114362-77011	STARTER	1							
2	2	114381-77110	ARMATURE	1							
3	2	X2114811000	WASHER KIT, THRUST	1							
4	2	X2114715500	STOPPER SET, PINION	1							
5	2	114381-77130	COIL ASSY, FIELD	1							
6	2	114381-77140	COVER, REAR	1							
7	2	114371-77160	HOLDER ASSY, BRUSH	1							
8	3	114371-79040	BRUSH (-)	2							
9	3	114371-79050	BRUSH (+)	1							
10	3	114371-79060	SPRING, BRUSH	4							
11	2	X211485016	PINION ASSY	1							
12	2	114381-77151	HOUSING ASSY, GEAR	1							
13	2	114371-77170	COVER KIT, DUST	1							
14	2	114371-77180	LEVER KIT	1							
15	2	124298-77020	SWITCH	1							
16	2	124195-77770	THROUGH BOLT	2							
17	2	114371-79070	BOLT M 6X 37	2							
18	2	X2114274200	COVER, TERMINAL	1							
19	1	26106-100302	BOLT M10X 30 PLATED	2							
20	1	26716-080002	NUT M 8	1							

Fig.22. ELECTRICAL EQUIPMENT

(A)=L48N5SJ1C1AARS

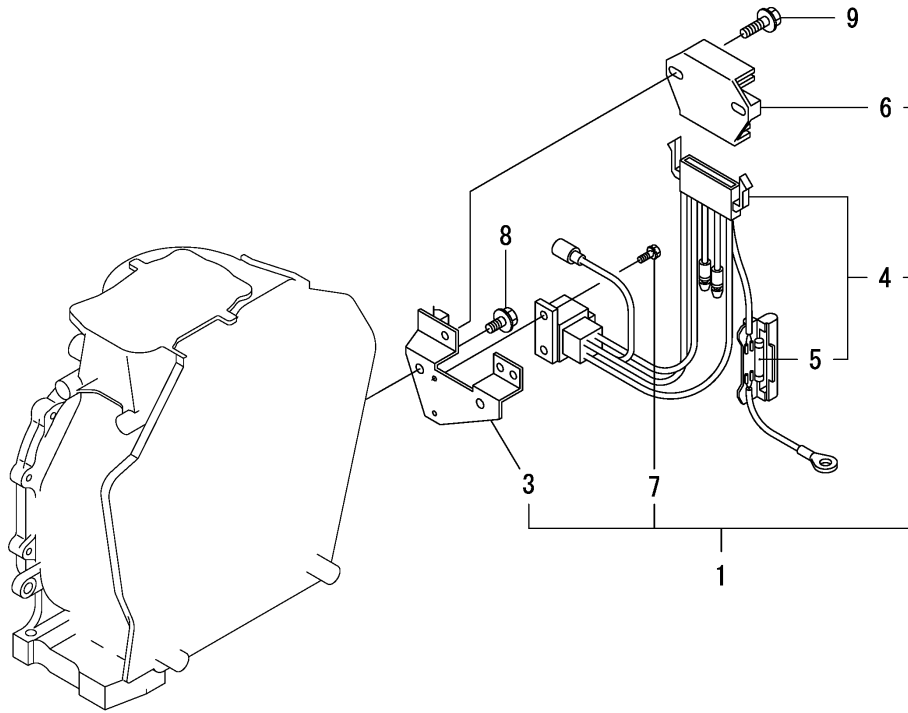
(B)=

(C)=

(D)=

(E)=

(F)=



REF.	LEV.	PARTS NO.	DESCRIPTION	Q'TY						I	R
				(A)	(B)	(C)	(D)	(E)	(F)		
1	1	114399-77550	REG. & HARNESS ASSY	1							
3	3	114399-77400	BRACKET, HARNESS	1							
4	3	114399-77540	HARNESS, WIRE	1							
5	4	114399-78000	FUSE(20A	1							
6	2	114399-77710	REGULATOR	1							
7	2	26023-040102	SCREW, M4X10	2							
8	1	26106-060122	BOLT M 6X 12 PLATED	2							
9	1	26106-060202	BOLT M 6X 20 PLATED	2							

Fig.23. DYNAMO

(A)=L48N5SJ1C1AARS

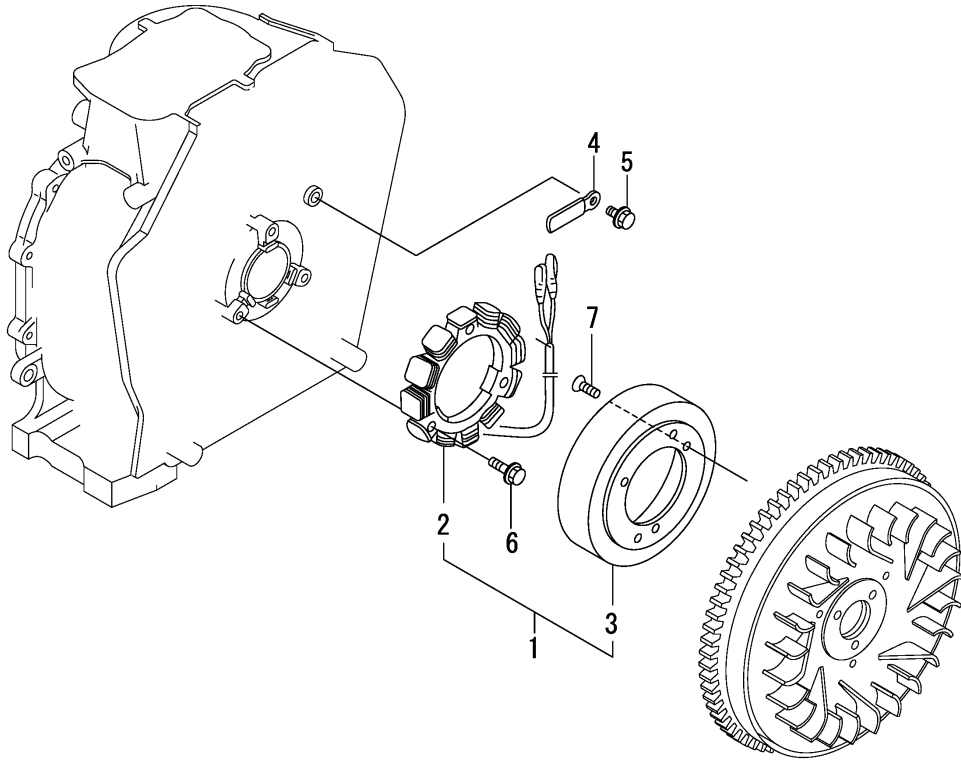
(B)=

(C)=

(D)=

(E)=

(F)=



REF.	LEV.	PARTS NO.	DESCRIPTION	Q'TY						I	R
				(A)	(B)	(C)	(D)	(E)	(F)		
1	1	114399-78260	DYNAMO ASSY	1							
2	2	114399-78730	STATOR ASSY	1							
3	2	114399-78740	WHEEL	1							
4	1	160710-78710	CLAMP	1							
5	1	26106-060122	BOLT M 6X 12 PLATED	1							
6	1	26106-060202	BOLT M 6X 20 PLATED	3							
7	1	26577-060142	SCREW M 6X 14	3							

Fig.25. TOOL & GASKET SET

(A)=L48N5SJ1C1AARS

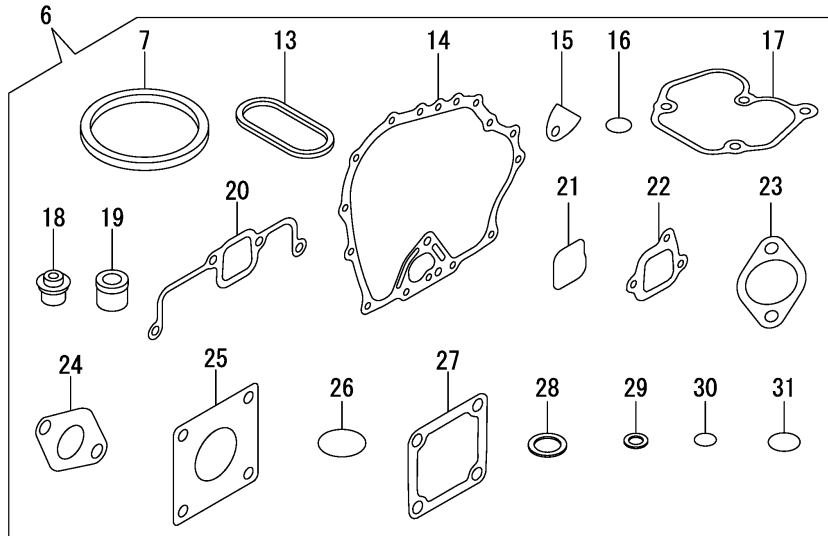
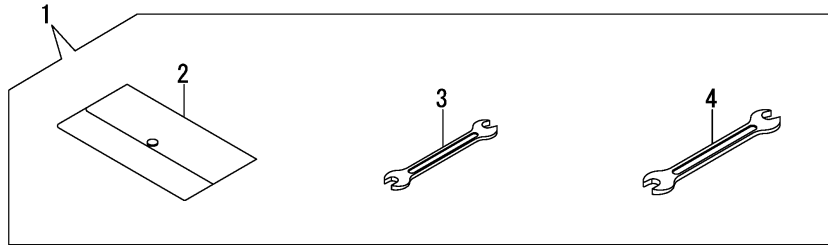
(B)=

(C)=

(D)=

(E)=

(F)=



REF.	LEV.	PARTS NO.	DESCRIPTION	Q'TY						I	R
				(A)	(B)	(C)	(D)	(E)	(F)		
1	1	114299-92590	TOOLBOX	1							
2	2	114299-92600	BAG, TOOL	1							
3	2	114299-92710	WRENCH	1							
4	2	114299-92720	WRENCH	1							
6	1	114120-92600	GASKET SET	1							1
7	2	114295-01330	GASKET ASSY, CYL.HEA	1							
13	2	114299-01380	O-RING	1							
14	2	114299-01410	GASKET	1							
15	2	114250-01841	GASKET	1							
16	2	114299-01950	O-RING	2							
17	2	114771-11310	GASKET	1							
18	2	114250-11341	SEAL, VALVE STEM	2							
19	2	114771-11461	GASKET	1							
20	2	114771-12200	GASKET	1							
21	2	114288-12210	O-RING	1							
22	2	114299-12210	GASKET	2							
23	2	114299-12920	GASKET	1							
24	2	114299-13200	GASKET	1							
25	2	114299-21980	GASKET	1							
26	2	114299-32570	O-RING	1							
27	2	129100-77510	GASKET, AIR HEATER	3							
28	2	22190-160002	WASHER, 16	2							
29	2	23414-080000	GASKET 8, ROUND	1							
30	2	24341-000150	O-RING 1A S-15.0	1							
31	2	24341-000224	O-RING 1A S-22.4	1							

Remarks
(1)Optional parts.

N:Old $\xrightarrow{\text{Yes}}$ New, Q:Old $\xrightarrow{\text{No}}$ New, R:Old $\xrightarrow{\text{Yes}}$ New, S:Old $\xrightarrow{\text{No}}$ New, W:Add, Z:Discontinued, F:Interchangeable by set, K:Q'ty Change

Part Number Index

All parts are stipulated in the order of part numbers.

(Depending on the area in which the part is used.)

This index will display the location of the part according to each part number.

PARTS No. INDEX

PARTS No.	Fig.	Ref.No.
105546-51020	17	2
105546-51330	17	8
114110-11910	4	27
114110-23200	11	28
114120-12550	6	3
114120-45330	16	5
114120-59300	18	23
114120-59800	17	50
114120-92600	25	6
114139-53100	17	28
114139-53200	17	24
114210-66300	19	3
114210-66330	19	5
114210-66350	19	7
114210-66511	19	2
114211-66600	19	16
114220-07100	3	2
114220-07110	3	4
114220-07130	3	11
114220-07150	19	1
114240-11450	4	23
114240-11550	4	24
114250-01841	1	25
	25	15
114250-02100	1	35
114250-02113	1	44
114250-02200	1	40
114250-02210	1	41
114250-03591	4	37
114250-11180	4	9
114250-11240	4	14
		18
114250-11341	4	21
	25	18
114250-12520	6	4
114250-12530	6	5
114250-12550	6	8
114250-12560	6	6
114250-12581	6	7
114250-14451	8	8
114250-32010	13	1
114250-51080	17	3
114250-51160	17	4
114250-51300	17	5
114250-51340	17	9
114250-51500	17	18
114250-51640	17	19
114250-51650	17	20
114250-53080	17	27
114250-53120	17	32

PARTS No.	Fig.	Ref.No.
114250-53130	17	33
114250-53140	17	34
114250-53210	17	35
114250-53400	17	36
114250-55121	18	1
114250-55130	18	2
114250-55201	18	13
114250-55301	18	5
114288-12210	25	21
114295-01330	25	7
114295-01340	1	10
114295-11951	4	35
114295-45150	16	1
114295-61170	13	17
114299-01200	1	5
114299-01210	1	6
114299-01220	1	7
114299-01230	1	8
114299-01380	1	11
	25	13
114299-01410	1	31
	25	14
114299-01470	1	32
114299-01600	1	12
114299-01690	2	1
114299-01760	2	2
114299-01800	1	13
114299-01830	1	24
114299-01950	2	4
	25	16
114299-02030	1	43
114299-02220	1	45
114299-03640	4	40
114299-07101	3	3
114299-07111	3	5
114299-07160	3	6
114299-11120	4	8
114299-11600	4	25
114299-11901	4	26
114299-12210	6	1
	25	22
114299-12300	6	2
114299-12920	25	23
114299-13200	7	1
	25	24
114299-13800	7	11
114299-14200	8	6
114299-21220	10	1
114299-21550	10	2
114299-21590	10	3

PARTS No.	Fig.	Ref.No.
114299-21600	10	6
114299-21980	25	25
114299-22300	11	9
114299-32070	13	7
114299-32570	13	8
	25	26
114299-35110	13	12
114299-35150	1	37
114299-45210	15	1
114299-45301	16	3
114299-45310	16	4
114299-45350	16	6
114299-55040	18	11
114299-55080	18	9
114299-55100	18	12
114299-55210	18	3
114299-55230	18	4
114299-55810	18	14
114299-61190	13	23
114299-61210	13	26
114299-61600	13	31
114299-66200	19	15
114299-76250	20	2
114299-76500	20	3
114299-76521	20	4
114299-76590	20	14
114299-76600	15	4
114299-76610	15	5
114299-76630	20	13
114299-92590	25	1
114299-92600	25	2
114299-92710	25	3
114299-92720	25	4
11429C-01020	1	1
11429C-11030	4	1
11429C-11100	4	6
11429C-11110	4	7
11429C-11250	4	10
11429C-11260	4	11
11429C-11650	4	12
11429C-11660	4	16
11429C-13500	7	2
11429C-13700	7	4
11429C-14590	8	1
11429C-55710	18	7
11431C-13720	7	5
114350-51200	17	11
114351-77520	24	1
114362-77011	21	1
114371-77160	21	7

PARTS No.	Fig.	Ref.No.
114371-77170	21	13
114371-77180	21	14
114371-79040	21	8
114371-79050	21	9
114371-79060	21	10
114371-79070	21	17
114381-77110	21	2
114381-77130	21	5
114381-77140	21	6
114381-77151	21	12
114399-76531	20	6
114399-76540	20	7
114399-76550	20	8
114399-76560	20	9
114399-76570	20	10
114399-76580	20	11
114399-76620	20	12
114399-77400	22	3
114399-77540	22	4
114399-77550	22	1
114399-77710	22	6
114399-78000	22	5
114399-78260	23	1
114399-78730	23	2
114399-78740	23	3
114650-59060	18	25
114770-23100	11	27
114770-61520	13	30
114770-61610	13	32
114770-66010	19	14
114771-11310	4	34
	25	17
114771-11461	25	19
114771-12010	5	1
114771-12200	5	2
	25	20
114771-14260	8	7
114771-21700	9	1
114780-59010	18	20
114780-59060	18	21
114780-61090	19	23
119260-11370	4	22
124066-59100	18	26
124195-77770	21	16
124298-77020	21	15
124550-51350	17	10
124722-59050	18	24
124950-01250	1	9
129100-77510	25	27
160210-02220	1	46

MODEL : L48N5SJ1C1AARS
PC NO : 0CR10-G84200

PARTS No. INDEX

PARTS No.	Fig.	Ref.No.
160310-14550	9	10
160710-78710	23	4
183250-66321	19	4
183250-66341	19	6
183250-66361	19	8
183250-66371	19	9
714120-22590	11	17
714120-22630	11	11
714120-22720	11	1
714139-51210	17	1
714139-53200	17	23
714295-22500	11	3
714295-22560	11	13
714295-22570	11	19
714299-61701	13	24
71429C-23010	11	24
714770-23600	11	29
714770-23610	11	31
714770-23620	11	33
714770-28531	12	1
X2114274200	21	18
X2114715500	21	4
X2114811000	21	3
X211485016	21	11

PARTS No.	Fig.	Ref.No.
-----------	------	---------

PARTS No.	Fig.	Ref.No.
-----------	------	---------

PARTS No.	Fig.	Ref.No.
-----------	------	---------



YANMAR CO.,LTD.