

# **WINGET**



## **WESTOOL & VARLEY TWINCOIL BRAKE SOLENOID MANUAL**

**WINGET LIMITED  
PO BOX 41  
EDGEFOLD INDUSTRIAL ESTATE  
PLODDER LANE  
BOLTON  
LANCS  
BL4 OLS  
Tel: ++ 44 (0) 1204 854650  
Fax: ++ 44 (0) 1204 854663  
crokersales@winget.co.uk  
parts@winget.co.uk  
www.winget.co.uk**

## **WESTOOL & VARLEY TWINCOIL SOLENOIDS**

**This manual must be read in conjunction with the Parts and Operators Manual issued with the original equipment. The Parts & Operators Manual contains additional important detailed advice regarding the correct procedures to be followed during Pre-Installation, Installation, Operation and ongoing Care and Maintenance of the equipment**

**The contents of this handbook although correct at the time of publication, may be subject to alteration by the manufacturers without notice and Winget Limited can accept no responsibility for any errors or omissions contained within the following pages. Nor can we accept any liability whatsoever arising from the use of this manual howsoever caused.**

**Winget Limited operate a policy of continuous product development, therefore, some illustrations or text within this publication may differ from your machine**

**Winget Limited can accept no responsibility for incorrectly supplied spare parts unless the part number and a full description of the items required is given when the order is placed.**

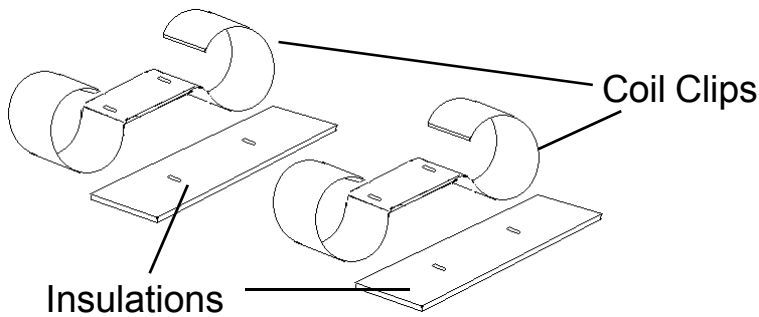
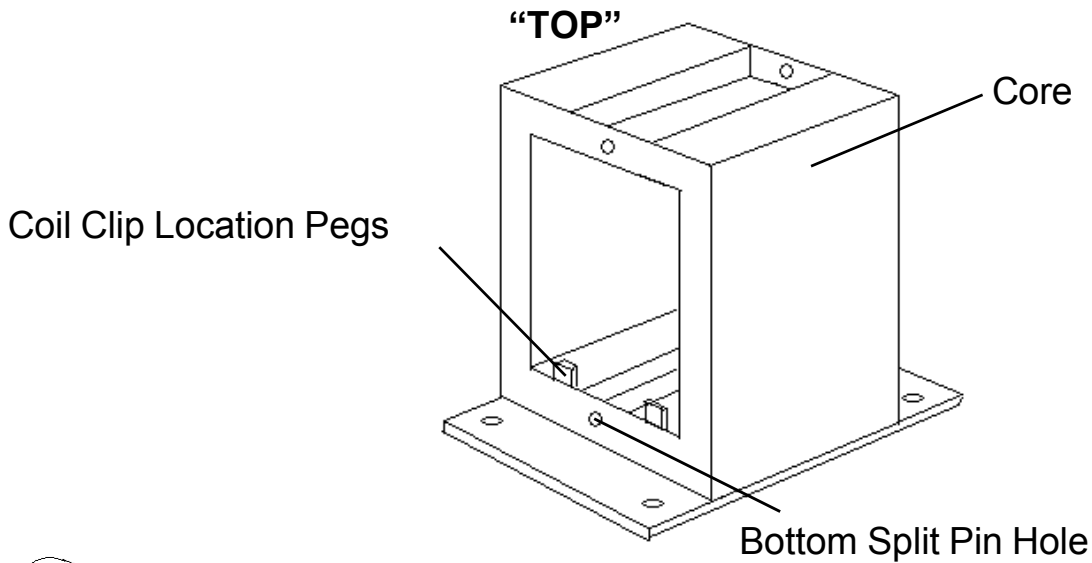
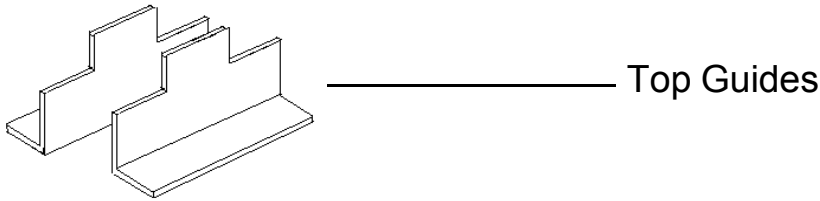
**The contents of this manual were produced with the help of the staff of:-**

**Richard Hough Limited  
Mill Hill Street  
Mill Hill  
Bolton  
BL1 2AB  
Tel: ++ 44 (0) 1204 526562  
Fax: ++ 44 (0) 1204 363191**

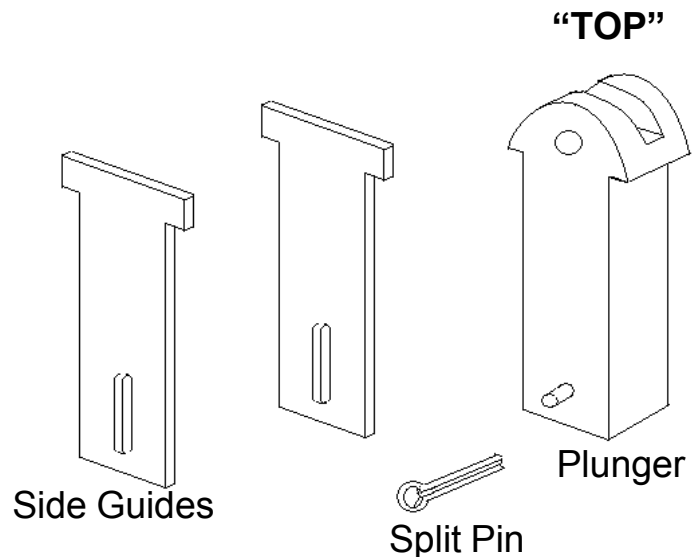
**and Winget Limited are pleased to acknowledge their assistance.**

# WESTOOL & VARLEY TWINCOIL SOLENOIDS

THE COILS ARE NOT IDENTICAL AND MUST BE FITTED IN THE CORRECT ORDER WITH THE COILS WITH THE LARGEST WIRE SIZE, I.E. LEAST RESISTANCE, INSTALLED AT THE "TOP" OF THE UNIT. (ASSUMING COILS TO BE UNDAMAGED) **NOTE:** "TOP" OF THE UNIT IS THE END INTO WHICH THE PLUNGER ENTERS EVEN IF THE UNIT IS HUNG UPSIDE DOWN.



On some units there is a Peg on the Plunger and Slots in the Side Guides, other units may have plain Plungers and Side Guides.



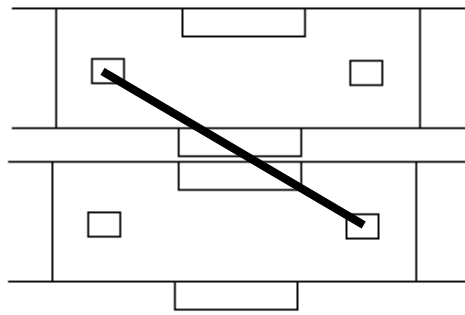
# WESTOOL & VARLEY TWINCOIL SOLENOIDS

Connect as Shown Below

FEMALE SIDE

“TOP”

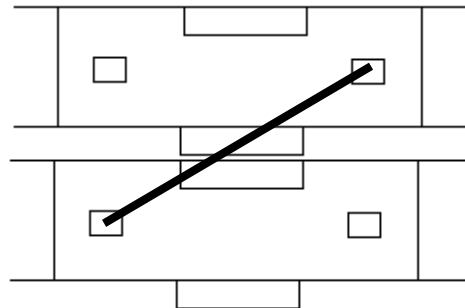
MALE SIDE



FEMALE SIDE

MALE SIDE

OR



Link either two diagonal lugs and put power into remaining two lugs

## ① TO REMOVE COILS

Remove the bottom split pin and Side Guides, if the Plunger has location pegs the Plunger will be withdrawn with the Side Guides.

Next prise out the two Top Guides from their location in the top former.

Carefully insert two knives or long shims between the two coils to release the male/female locking locations.

Remove Top Coil first followed by second Coil and Coil Clips. Remove and examine the Insulations beneath the Coil Clips and replace if necessary.

## ② TO REFIT COILS

To reassemble simply reverse the procedure at ①

Insert Insulations and Coil Clips first, followed by Bottom Coil with Male side down.

Push in Top Coil until Coil “clicks” in place.

Next install the two Top Guides followed by the Side Guides. Push in Plunger then insert the Split Pin.

Where the Plunger is fitted with pegs and Side Guides have slots the Side Guides and Plunger are inserted as an assembly.