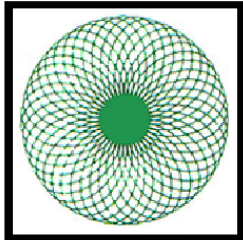


# **WINGET**



# **Croker**

## **CUMFLOW RP100XD MK2 ROTATING PAN MIXER**

# **PARTS & OPERATION MANUAL**

**WINGET LIMITED  
PO BOX 41  
EDGEFOLD INDUSTRIAL ESTATE  
PLODDER LANE  
BOLTON  
LANCS  
BL4 OLS  
Tel: ++ 44 (0) 1204 854650  
Fax: ++ 44 (0) 1204 854663  
crokersales@winget.co.uk  
parts@winget.co.uk  
service@winget.co.uk  
www.winget.co.uk**

# **INDEX**

## **SECTION 1      GENERAL INFORMATION**

- 1.1.      Company Details
- 1.2.      Important Notice
- 1.3.      Mixer Operational and Safety Requirements
- 1.4.      Installation Drawing

## **SECTION 2      INSTALLATION AND OPERATING INSTRUCTIONS**

- 2.1.      Pre Installation Notes
- 2.2.      Installation Instructions
- 2.3.      Operating Instructions

## **SECTION 3      TECHNICAL SPECIFICATION AND MAINTENANCE**

- 3.1.      Technical Specification
- 3.2.      Shutdown Procedure and Maintenance
- 3.3.      Lubrication
- 3.4.      Gear Unit Maintenance

## **SECTION 4      MIXER SPARE PARTS**

- 4.1.      Mixing Pan & Drive
- 4.2.      Mixing Star & Drive
- 4.3.      Mixing Star Assembly
- 4.4.      Mixing Star Lifting Arrangements
- 4.5.      Layout of Guards
- 4.6.      Micro Switch Cam & Proximity Switch
- 4.7.      Electrical Switch Gear
- 4.8.      Decals & Logos

## **SECTION 5      ANCILLIARY EQUIPMENT SPARE PARTS**

- 5.1      Pan Trolley Four Wheels
- 5.2      MoD Additional Parts

## SECTION 6      **ELECTRICAL SYSTEM**

- 6.1                      Electrical Instructions
- 6.2                      Wiring Diagrams

## SECTION 7      **MISCELLEANEOUS**

- 7.1                      Noise Details

The contents of this handbook although correct at the time of publication, may be subject to alteration by the manufacturers without notice and Winget Limited can accept no responsibility for any errors or omissions contained within the following pages. Nor can we accept any liability whatsoever arising from the use of this manual howsoever caused.

Winget Limited operate a policy of continuous product development. Therefore, some illustrations or text within this publication may differ from your machine

Winget Limited can accept no responsibility for incorrectly supplied parts unless the machine serial number, part number and a full description of the items required is given when the order is placed.

### **NOTE**

Imperial fixings (bolts, setscrews, nuts, washers etc) have been progressively changed to Metric. If in doubt as to whether you have a Metric or Imperial fixing please order the metric items listed, i.e. bolt or setscrew and associated or flat and spring washers to replace the existing items

### **NOTE**

Electrical cables particularly those with copper conductors suffer from a condition known as 'relaxation' which may cause wiring to work loose over a period of time, it is recommended that the tightness of wiring connections and terminals are checked following the first month in service.

**OPERATING  
AND  
MAINTENANCE MANUAL**

**SECTION 1**

**GENERAL INFORMATION**

**RP100XD MK2**

## **COMPANY DETAILS AND GENERAL INFORMATION**

For any spares or service work, please contact:-

Winget Limited  
P.O. Box 41  
Edgefold Industrial Estate  
Plodder Lane  
Bolton  
Lancs  
BL4 OLS

Telephone No:	++ 44 (0) 1204 854650
Facsimile No:	++ 44 (0) 1204 854663
'E Mail'	<a href="mailto:crokersales@winget.co.uk">crokersales@winget.co.uk</a> <a href="mailto:parts@winget.co.uk">parts@winget.co.uk</a> <a href="mailto:service@winget.co.uk">service@winget.co.uk</a>

### **ORDERING SPARES**

To help us to complete your order promptly and correctly we need:-

- Machine type and serial number
- Description and quantity of parts required
- The full address to which the parts are to be sent

Winget Limited can accept no responsibility for incorrectly supplied parts unless the machine serial number, part number and a full description of the items required is given when the order is placed.

## **IMPORTANT NOTICE**

The CUMFLOW RP100XD MK2 is a high performance mixer

The following precautions are necessary to obtain the best results and to avoid damage to the MIXING STAR and PAN DRIVE

### **AGGREGATES**

Strict control of graded aggregates must be maintained  
Maximum size 19mm

Oversize lumps of aggregate or rogue materials must be prevented from entering the Pan

### **MIXING STAR BLADES**

They are to a special shape and material to prolong wear life. They should not be modified in any way and only replaced with GENUINE 'CROKER' spares obtained from **WINGET LIMITED**.

A daily check is advisable to ensure that the Blades/Wearing parts are secure and undamaged.

### **MAXIMUM BATCH LOADS**

UNDER NO CIRCUMSTANCES should the Maximum Batch Loads quoted be exceeded nor should the mixer be stopped or re-started when there is a mix in Pan

### **MIXING PAN**

Ensure that the Mixing Pan is rotating concentrically and that the pan base is Horizontal.

### **WARNING**

**THE MANUFACTURER ACCEPTS NO RESPONSIBILITY FOR ANY DAMAGE OR FAILURE RESULTING FROM OPERATIONAL MISUSE OR MALPRACTICE. ANY MODIFICATIONS TO THE MACHINE WILL AFFECT ITS WORKING PARAMETERS AND**

**SAFETY FACTORS. REFER TO THE MANUFACTURERS BEFORE FITTING ANY NON STANDARD EQUIPMENT OR PARTS.**

**THE MANUFACTURERS ACCEPT NO RESPONSIBILITY FOR ANY MODIFICATIONS MADE AFTER THE MACHINE HAS LEFT THE FACTORY, UNLESS PREVIOUSLY AGREED IN WRITING. THE MANUFACTURERS WILL ACCEPT NO LIABILITY FOR DAMAGE TO PROPERTY, PERSONNEL OR THE MACHINE IF FAILURE IS BROUGHT ABOUT DUE TO SUCH MODIFICATIONS, OR THE FITMENT OF SPURIOUS PARTS.**

**RP100XD MK2**  
**OPERATIONAL AND SAFETY**  
**REQUIREMENTS**

**PRE-DELIVERY**

- 1.1 Drive coupling alignments, pan and star meshing of pan rack and drive gear.
- 1.2 Operating clearances star blade to pan. Fixed blade to pan wall.
- 1.3 Correct oil level in gearboxes. All grease points charged. Gear teeth greased.
- 1.4 No load test. Correct rotations.

**PRE INSTALLATION**

- 2.1 Check consignment.
- 2.2 Offload equipment using certified lifting gear of suitable capacity, by a competent person (see separate chart for nett weight).

**INSTALLATION**

- 3.1 Refer to contract arrangement and site instructions.
- 3.2 Mixer to be mounted on supports of adequate strength and rigidity to prevent undue vibration when mixing and securely bolted.
- 3.3 Mixer frame to be level on structure, add packers as required.
- 3.4 Check that pan is correctly seated and that pan rack and drive gear are in correct mesh.

**ELECTRICAL SERVICES**

- 4.1 Refer to wiring diagram in Ops Manual. All wiring to be undertaken by competent electrician, it is recommended that the mains electrical supply is provided via an earth leakage circuit breaker. **NOTE:** electrical cables particularly those with copper conductors suffer from a condition known as 'relaxation' which may cause wiring to work loose over a period of time, it is recommended that the tightness of wiring connections and terminals are checked following the first month in service.

## **OPERATION**

- 5.1 Correct oil level in the gearboxes.
- 5.2 Check the Mixing pan clear of loose nuts and bolts to prevent damage to fingers and blades.
- 5.3 Check correct rotation – mixing star – anti clockwise; mixing pan – anti clockwise. All when viewed from the top.
- 5.4 Blade operating clearances adjust in line with maintenance instructions.
- 5.5 Never exceed manufacturer's maximum capacity as detailed in specification.

## **SHUTDOWN**

- 6.1 Prior to any work being carried out mixer to be isolated and physically locked off
- 6.2 Follow the procedures detailed in your companies Health and Safety Policy at all times.
- 6.3 Ensure all storage bins containing materials to be mixed are isolated.

## **MAINTENANCE**

- 7.1 Ensure that all maintenance is carried out in accordance with the Parts and Operating manuals and proprietary manufacturer's specific instruction.
- 7.2 Isolate electrical and other services to the mixer as section 6 above.
- 7.3 Service at recommended intervals.
- 7.4 Use **Croker** manufactured replacement parts available from **WINGET LIMITED**.
- 7.5 Ensure all safety guards and interlocks are reinstated prior to operating mixer.

## **GENERAL**

- 8.1 Under on circumstances should the Maximum Batch Loads be exceeded by either weight and volume as stated in Technical Specification.

- 8.2 Mixer star blades to be checked daily for damage.
- 8.3 Pan rim and base wearing plates must be replaced before excessive wear causes distortion.
- 8.4 Ensure mixing pan is rotating concentrically and pan base is rotating in horizontal plane.
- 8.5 Mixer must not be stopped and started when there is mix in the pan.
- 8.6 Refer to the Contract Drawing for scope of supply and the Site instruction notes outlining weights etc.
- 8.7 Refer to Method Statement when installation and commissioning is responsibility of Croker.

**Nett Weights Max (kgs)**

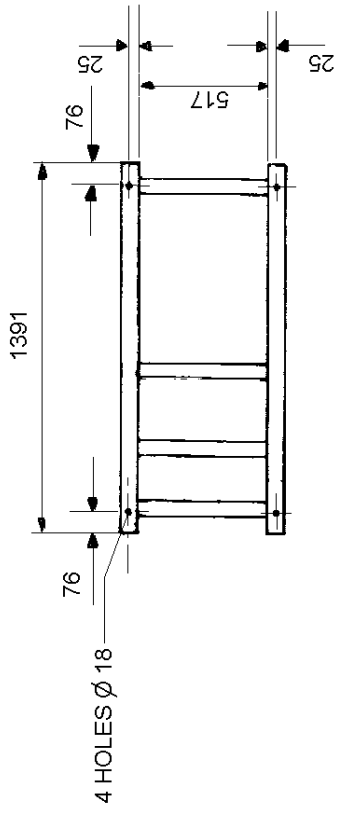
9.1	RP50XD	788	RP1250XD	4840
	RP100XD	900	RP1500XD	4980
	RP200XD	1400	RP3000XD	7112
	RP400XD	2000	FP1000	4040
	RP550XD	2150	FP1500	4065
	RP850XD	2600	FP2000	4100

- 9.2 Refer to technical specification for nett weights of ancillary equipment.
- 9.3 Refer to contract drawing for nett weights of ancillary equipment.

**Miscellaneous**

- 10.1 Noise. Measured in accordance with Article V of Directive 2000/14/EC  
Noise Emission in the Environment by Equipment for Use Outdoors:- 105Lwa

# INSTALLATION DRAWING

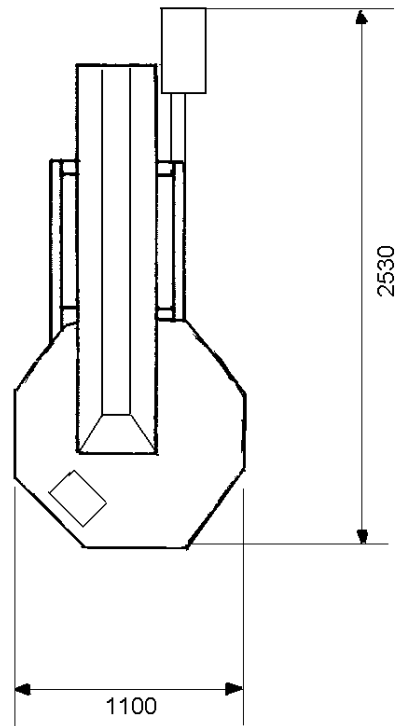
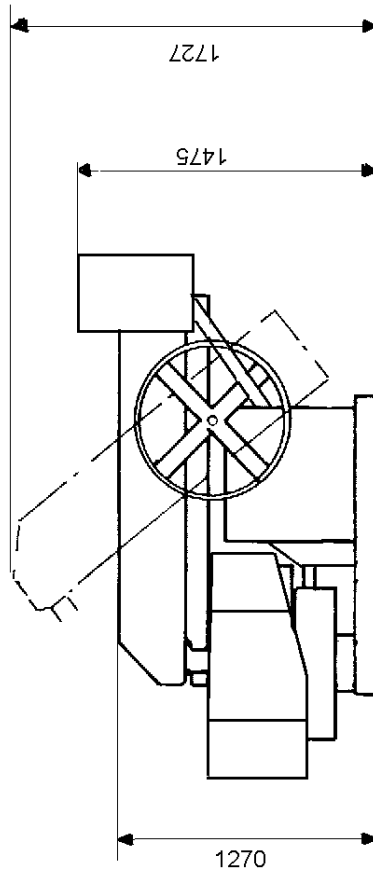


## NOTES

STAR DRIVE MOTOR 2.2Kw (BROWN GROUP BH302)

PAN DRIVE MOTOR 1.1Kw (BROWN GROUP BH202)

MACHINE WEIGHT RP100XD MK2 900KG APPROX



**OPERATING  
AND  
MAINTENANCE MANUAL**

**SECTION 2**

**INSTALLATION AND OPERATING  
INSTRUCTIONS**

## **PRE-INSTALLATION**

On arrival of the equipment it is advisable to check that all packages listed on the consignment note have been received.

The equipment must be offloaded using certified lifting gear of suitable capacity, by a competent person.

An outline drawing and bolt hold plan is normally sent prior to the despatch of the machine and will enable preparations to be made for the installation. With the `picture` of what the machine will look like when it is assembled, the ancillary equipment dismantled for transport can easily be identified.

## **INSTALLATION**

Please refer to the contract arrangement and site instructions as applicable.

It is recommended that a concrete foundation (to take foundation bolts – not supplied) should be provided for the machine to be mounted on

Before completing the installation, check that the main mixer frame is level with a spirit level. Packings should be inserted as required under the main frame. Check that the pan is seated and that the pan rack and drive gear are in mesh.. Also check that all the blade clearances are in line with the maintenance instructions.

On connecting to the power supply, the wiring diagram must be referred to.

**Note:- it is recommended that the mains electrical supply is taken via an earth leakage circuit breaker.**

The wiring is correctly connected to the motors when the pan and star drive rotate as follows:-

- The mixing pan and mixing star rotate anti-clockwise when looking from the top.

**NOTE:- the proximity sensors below the pan and star drive lifting mechanism are fitted with small LED's which light up when the sensors are operating correctly.**

## **OPERATING THE MIXER**

Prior to start up, the following points should be checked:-

- 1) That there is oil in a) the pan drive gearbox  
b) the star drive gearbox
- 2) The mixing pan should be clear of loose nuts, bolts, spanners, etc as these will damage the fingers and blades.
- 3) Check that the blade clearances are correct and if necessary adjust, in line with the maintenance instructions.
- 5) To raise the mixing star out of the mixing pan, turn the hand wheel in a clockwise direction until the arm is at 45°
- 6) To lower, turn the hand wheel anti-clockwise and lower gently. The mixer will automatically start if the mixing pan is in position. When the mixing pan is removed the mixer cannot be operated as the proximity switches need to sense the pan in position to complete the electrical circuit
- 7) On completion of the mixing cycle the raising of the mixing star operates a limit switch which automatically stops all moving parts
- 8) The pan can then be removed by hand or with the special lifting trolley available as an option

### **IMPORTANT:**

After each mix the contents of the pan must be completely discharged. At the end of each period of operation the mixing pan, mixing blades, and fingers, must be washed down to prevent product setting on them and so impairing the efficiency of the machine. **NOTE:- isolate the electrical supply before washing down the mixer and do not aim the water jet directly at the electrical control panel or related switch gear or sensors**

# **OPERATING THE MIXER**

## **SAFETY NOTES**

Never operate the mixer unless you have read and fully understand the contents of the Operators Manual

Never operate the mixer whilst wearing loose fitting clothing

Never reach inside the Pan whilst it is rotating

Never operate any equipment unless you have received adequate training

Cement, certain other minerals and organic compounds can cause skin irritation leading to Dermatitis. Always use Personal Protective Equipment i.e. gloves etc to protect the skin from direct contact. If in any doubt about the materials being used consult your employers COSHH manual

Wear Eye protection to protect your eyes from dust and liquid splashes

Do not attempt to remove the pan single handedly, obtain assistance, use the Pan Trolley (if provided) or use suitable lifting equipment

Do not operate the mixer with any of the guards removed, safety devices or interlocks disconnected. They are there to offer you some protection, ensure they are correctly maintained

Carry out the daily maintenance before operating the mixer and report defects to your supervisors

Oils, Greases and Lubricants are skin irritants and prolonged direct skin contact can cause skin cancer. PPE or barrier creams should be used when carrying out maintenance work, wash your hands on completion

Always dispose of waste oils and lubricants in a proper manner, it is illegal to pour it down drains or bury it. Contact your local authority for a list of authorised disposal sites

Always disconnect the power supply at the mains before carrying out any maintenance work or cleaning the equipment down. Do not turn on the power until everything has dried out

Do not allow waste from the wash down process to enter the public drainage system unless it has been properly filtered

Decals and Instruction Plates are attached to the equipment to warn against hazards and assist in the safe operation of the equipment, if they become damaged or defaced they must be replaced.

## **OPERATING INSTRUCTIONS FOUR WHEEL PAN TROLLEY**

The Four-Wheel Pan Trolley is designed to allow the safe and speedy removal and transportation of the pan and mixed materials to wherever they may be required within the plant. The following instructions should be followed to ensure the Four Trolley is used safely and correctly.

- 1) It is recommended that the Trolley be used only on firm level ground.
- 2) On no account should the laden Trolley be left unattended on anything other than a level surface unless the castors are securely chocked.
- 3) The area around the mixer should be kept free from any build up of waste material.
- 4) Ensure the Pan Lifting Lugs and Hoop attached to the pan are in good condition, secure and free from any build up of waste material.
- 5) Position the Trolley in front of the mixer so that the wheels are equally spaced to each side of the mainframe/chassis.
- 6) Fully raise the Mixing Star by means of the handwheel and allow the pan to come to a complete stop. Manually rotate the pan until two of the Pan Lifting Lugs are at right angles to the mainframe/chassis. This will allow the Trolley, when correctly positioned below the pan to cleanly lift the pan clear of the rack.
- 7) Push the Trolley under the pan until the 'V' support arms on the Trolley are aligned below the Pan Lifting Lugs, brace the Trolley by placing a foot in the rear centre of lower fixed frame and pull back on the handle until the 'V' supports are engaged with the Pan Lifting Lugs, continue pulling back on the handle until it abuts the stops, at which point the pan will be clear of the rack. Manoeuvre both pan and Trolley clear of the mixer. The Trolley complete with the pan can now be carefully pushed or pulled to wherever the mixed material is required. Be aware of the increased inertia inherent in the combined weight of the Trolley, Pan and Material.
- 8) Before tipping the pan to discharge the material it is recommended that the handle is moved fully forward to lower the upper moving frame of the Trolley

firmly onto the lower fixed frame. When the material has been discharged the trolley can be braced as described above, the handle pulled backwards against the stops and the pan transported back to mixer where the pan can be easily and quickly positioned over the rack and lowered into place.

9) On no account must attempts be made to engage the trolley with the mixer mainframe/chassis unless the Star Drive is raised and the rack stationary.

10) Do not 'swing' on the Trolley Handles, doing so may cause the Trolley to become unstable and it may tip backwards especially if the pan is empty causing injury to either yourself or nearby persons.

## **START PROCEDURE CROKER RP50XD, RP100XD & RP150XD RANGE MIXERS**

- 1) Raise the mixing star assembly by way of the large hand wheel, rotate the wheel in a clockwise direction to raise the star assembly
- 2) Ensure the mixing pan is in place on the pan rack (gear) and correctly seated down.
- 3) Turn the power on at the red isolator switch on the control panel
- 4) Ensure the red emergency stop plunger on the front of the control panel is not depressed.
- 5) Press the green start button.
- 6) With both hands on the hand wheel, rotate the hand wheel anti-clockwise and lower the mixing star slowly and gently down into the mixing pan. The motors driving the pan and star should start automatically as the star enters the pan.

**Note: do not allow the mixing star assembly to drop in an uncontrolled manner into the mixing pan, lower it slowly with both hands on the hand wheel.**

**OPERATING  
AND  
MAINTENANCE MANUAL**

**SECTION 3**

**TECHNICAL SPECIFICATION  
AND MAINTENANCE**



**WEIGHTS (UNLADEN)**

900kg (approx)

Weight of additional pan

89kg (approx)

**PAN LIFTING  
TROLLEY**

RHS steel frame mounted on four industrial castors with tubular section handle

## MAINTENANCE OF MIXER

### IMPORTANT NOTE:

Ensure that all maintenance is carried out in accordance with the Parts and Operating Manual and Proprietary Manufacturer's specific instruction.

### PROCEDURE

- 1 ISOLATE ELECTRICAL AND OTHER SERVICES TO THE MIXER (see separate section).
- 2 Service at recommended intervals.
- 3 Use **Croker** manufactured replacement parts available from **WINGET LIMITED**.
- 4 Ensure all safety guards and interlocks are reinstated prior to operating the mixer.
- 5 Main items of wear (see Section 4).
  - A) Star Blades
  - B) Fixed Blade

Access to mixing pan internals is via the safety interlocks. Each of the above are bolted components and are replaced by simple method and usually achieved in situ without dismantling other components.

- C) Other items prone to less wear are star blade fingers and mixing star. Each can be replaced again in situ but pan covers may require removal to provide the necessary access.

## MAINTENANCE AND LUBRICATION

### NOTE:

**ALWAYS ENSURE APPARATUS IS ISOLATED FROM MAINS SUPPLY BEFORE COMMENCING MAINTENANCE. IF NECESSARY A 'PERMIT TO WORK' SHOULD BE OBTAINED**

### DAILY:

Charge the grease points using Total EP2 Grease 2 (or equivalent)

### WEEKLY

Lubricate

Racks	Apply Open Gear Lubricant (or equivalent)
Pinions	Apply Open Gear Lubricant ( or equivalent)

Inspect and top-up if necessary.

1. Star Gear Box (Brown Group BH302) Use Total Carter SP220 1.2 litres cap
2. Pan Drive Gear Box (Brown Group BH202) Use Total Carter SP220 0.80 litres cap

NOTE:- Total Carter SP220 is a synthetic oil and should not be mixed with mineral oils such as Mobil Mobilgear 630, unless the gearbox is thoroughly flushed out after draining.

### INSPECT AND ADJUST-MONTHLY

1. Pan Gear and Pinion, grease Open Gear Lubricant (or equivalent), as required.
2. Adjust Star Blades, Fixed Blades and Discharge Blade to the following settings, also make sure that Blade Fingers are free in their bearings and that the springs are clear of obstruction.
3. Star Drive Bevel Pinions, remove cover and grease pinions with Open Gear Lubricant or equivalent as required. Check retaining grub screws and keys are tight.

**MIXING BLADE** 3mm clear of pan base. Adjust by moving the blade up or down its finger.

## **FIXED BLADES**

6mm clear of pan base with the leading edge just touching the pan side. Adjust by moving the blade up or down its finger.

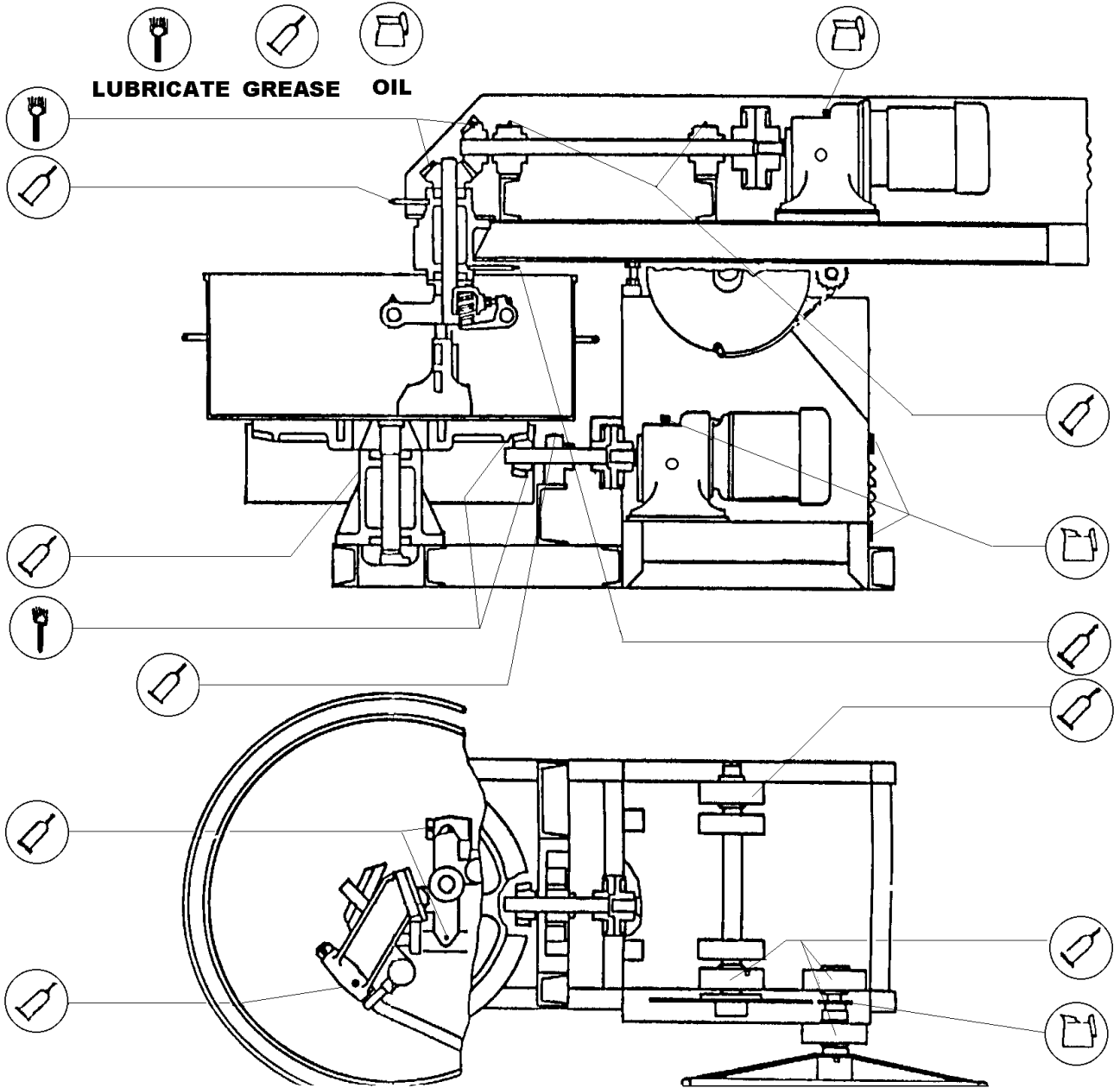
## **MAINTENANCE FOR GEAR UNITS**

### **MAINTENANCE OF THE MOTORS**

The surface of the housing as well as the cover lattice of the fan bonnet should be kept clean in order not to endanger the cooling of the motor with dust and dirt.

Although the bearings of the motor have life time lubrication, the oil in the gearbox of a new unit should be drained after the first **500** hours of operation and the case thoroughly flushed with a light flushing oil before refilling with fresh oil to the correct specification

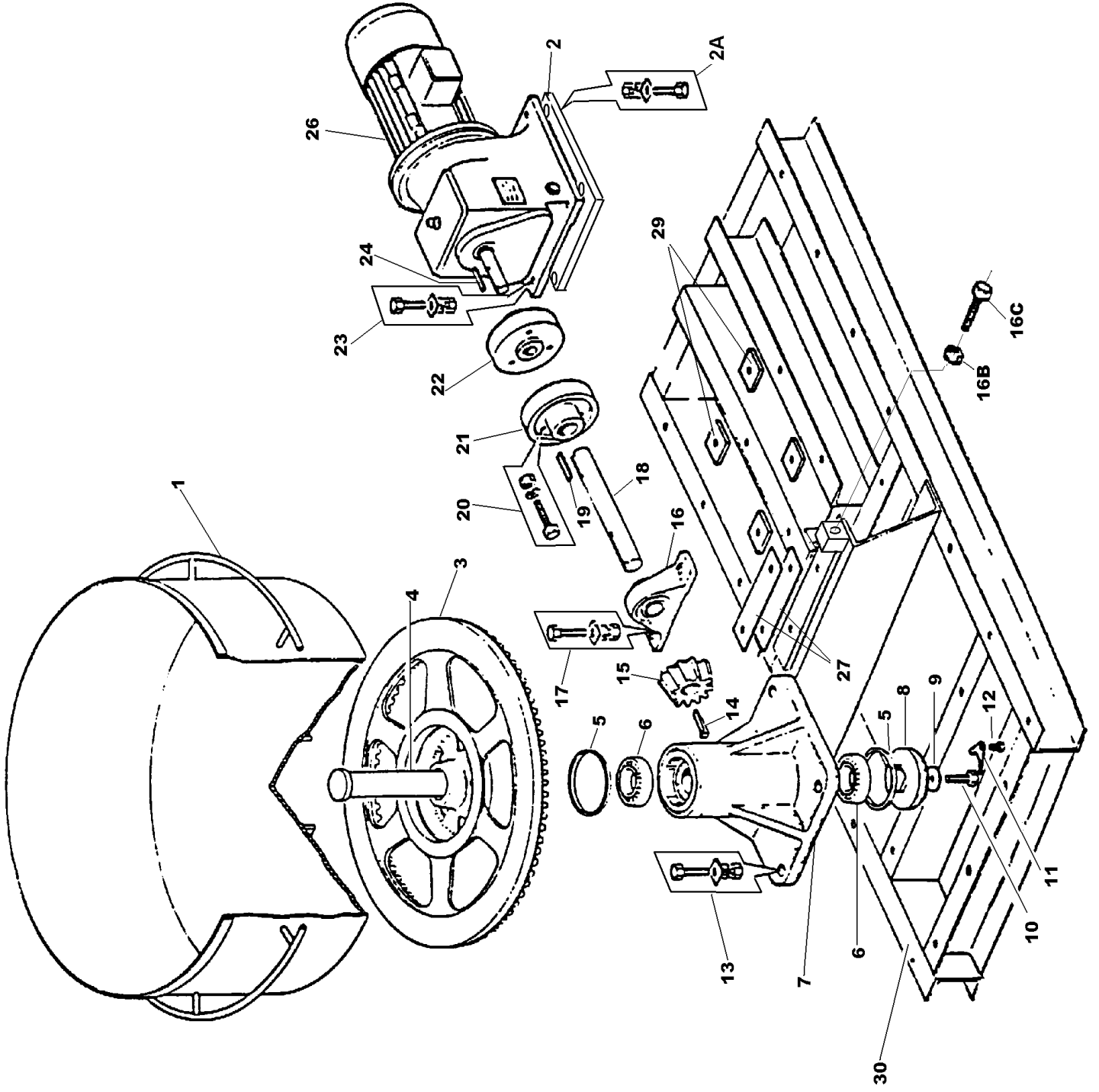
# LUBRICATION CHART



**OPERATING  
AND  
MAINTENANCE MANUAL**

**SECTION 4  
MIXER SPARE PARTS**

# RP100XD MK2 MIXING PAN & DRIVE



# RP100XD MK2 MIXING PAN & DRIVE

1	CR540381	4 CU FT (0.11 CUBIC METRES CAP PAN) RP100	1
2	CR53100864	PLATE ADAPTOR MOUNTING	1
2A	8S05D	BOLT M12 X 40	4
2B	17S06	WASHER SPRING M12	4
2C	267S07	WASHER FLAT M12	4
3	CR210136	PAN RACK	1
4	CR520179	CONICAL SHAFT	1
5	CR560006	FELT SEAL	2
6	CR150153	CONICAL SHAFT BEARING	2
7	CR210137	PAN CONICAL SUPPORT	1
7A	333104020	NIPPLE GREASE 1/4 BSP STRAIGHT	1
7B	176S01	COVER NIPPLE GREASE	1
8	CR210092	CONICAL END CAP	1
9	CR630047	KEY CAP WASHER	1
10	11S06F	KEY CAP BOLT M16 X 40	1
11	CR530477	KEY CAP LOCKING PLATE	1
12	68S05C	LOCKING PLATE CAPSCREW M10 X 20	1
12A	17S05	WASHER SPRING M10	1
13	8S06H	CONICAL BOLT M16 X 60	4
13A	61S06	NUT BINX M16	4
13B	267S09	WASHER FLAT M16	4
13C	105S07	WASHER TAPER M16	4
14	CR320021	BEVEL PINION KEY, GIB HEAD 1/2 X 3/8 X4	1
14A	CR320023	ALTERNATIVE 1/2 X 7/16 X6 CUT TO SIZE	1
15	CR460022	BEVEL PINION	1
16	CR150925	BEVEL PINION SHAFT BEARING	1
16A	176S01	COVER NIPPLE GREASE	1
16B	7S06	NUT M16	2
16C	11S06P	SCREW SET M16 X 80	2
17	8S05J	BOLT BEARING M12 X 65	2
17A	61S05	NUT BINX M12	2
17B	267S07	WASHER FLAT M12	2
17C	105S05	WASHER TAPER M12	2
18	CR52100896	BEVEL PINION SHAFT	1
19	CR329015	COUPLING, DRIVEN HALF FEATHER KEY	1
20	8S05F	BOLT, RIGID COUPLING M12 X 50	3
20A	7S05	NUT, RIGID COUPLING M12	3
21	CR23100869	ASSEMBLY RIGID COUPLING	1
21A	57S04E2	SCREW GRUB M6 COUPLING DRIVING HALF	1
21B	57S05D2	SCREW GRUB M8 COUPLING DRIVEN HALF	1
23	8S04F	BOLT GEAR UNIT M10 X 55	4
23A	17S05	WASHER SPRING M10	4
23B	267S06	WASHER FLAT M10	4
24	CR329047	COUPLING, DRIVING HALF FEATHER KEY	1
26	CR22100905	GEAR MOTOR UNIT, PAN DRIVE, 240V 1PH 1.1KW (BH202)	1
26	CR22100868	GEAR MOTOR UNIT, PAN DRIVE, 415V 3PH 1.1KW (BH202)	1
27	CR549006	SHIM PACK BEARING (4 SHIMS PER SET)	1
29	555114904	SHIM SET, GEARED MOTOR UNIT	A/R
30	CR26100866	CHASSIS FRAME	1



# RP100XD MK2 STAR DRIVE ASSEMBLY

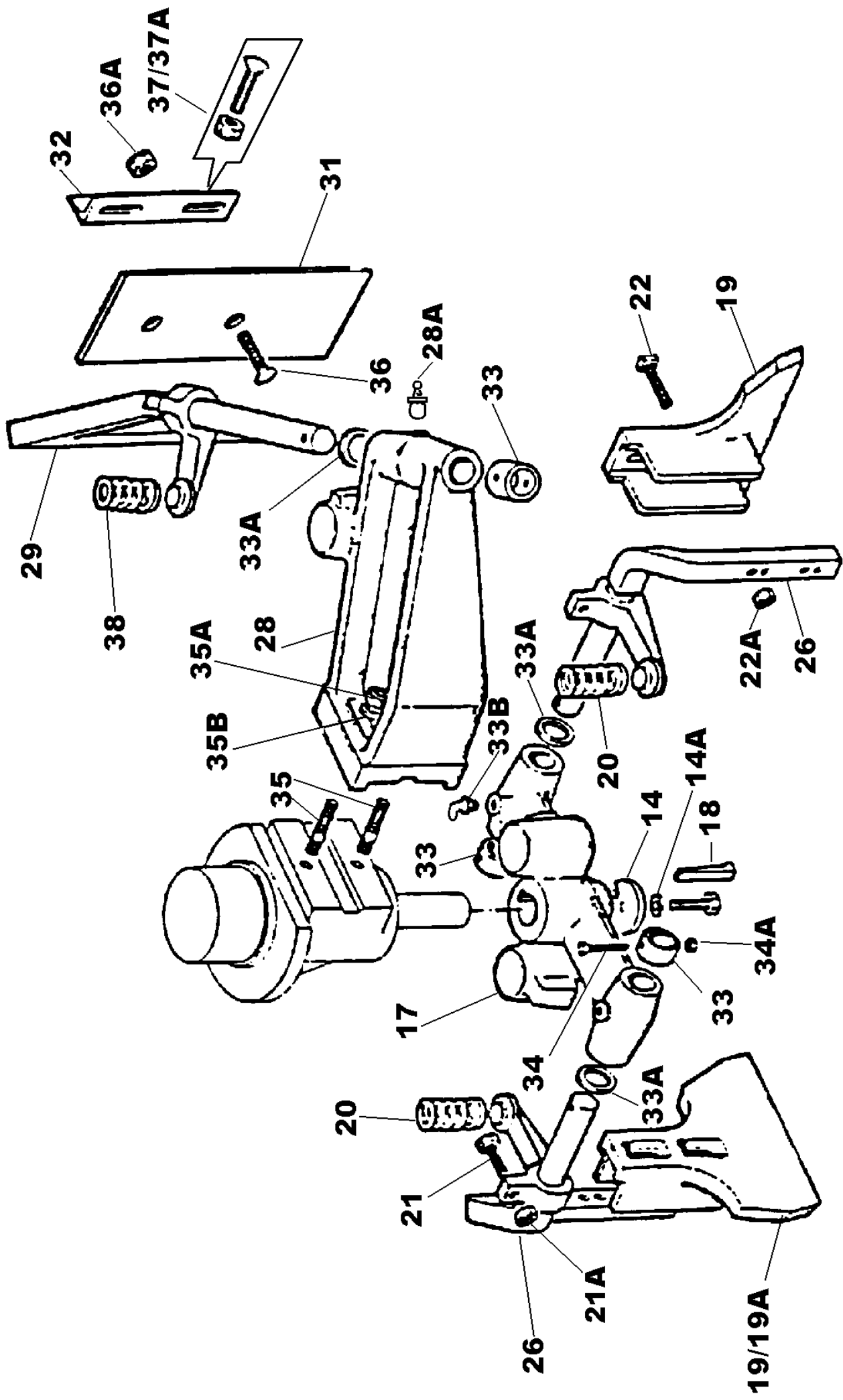
1	CR22100906	MOTOR GEAR UNIT STAR DRIVE 2.2KW 240V 1PH (BH202)	1
1	CR22100835	MOTOR GEAR UNIT STAR DRIVE 2.2KW 415V 3 PH (BH302)	1
1A	555114900	SHIM GEAR MOTOR UNIT	A/R
1B	CR53100865	PLATE ADAPTOR GEAR MOTOR UNIT (BH302)	1
1C	11S05C	SCREW SET M12 X 25	4
1D	17S06	WASHER SPRING M12	4
1E	267S07	WASHER FLAT M12	4
3	CR23100890	COUPLING ASSEMBLY. FLEXIBLE, FENNER HRC TYPE F	1
<b>Consists of Following</b>			
3A	CR23100908	COUPLING HALF FENNER HRC TYPE F	2
3B	CR23100891	INSERT, FLEXIBLE, FENNER HRC180	1
3C	CR66100892	BUSH TAPERLOCK DRIVING/MOTOR HALF 30MM DIA	1
3D	CR66100893	BUSH TAPERLOCK DRIVEN HALF 1 1/2" DIA	1
4A	CR329047	KEY DRIVING HALF COUPLING	1
5	CR329013	KEY DRIVEN HALFCOUPLING	1
6	CR52100871	SHAFT TOP	1
6A	CR52100872	SPACER BEVEL PINION	1
6B	57S05D2	SCREW GRUB	2
7	CR159006	BEARING ASSEMBLY TOP SHAFT	2
7A	176S01	COVER GREASE NIPPLE	2
7B	CR549006	SHIM PACK BEARINGS (4 SHIMS PER SET)	A/R
7C	11S06P	SCREW SET M16 X 80	4
7D	7S06	NUT M16	6
7E	11S06K	SCREW SET M16 X 60	2
8	CR460024	GEAR BEVEL	2
8A	57S05D2	GRUB SCREW M8	6
8B	555116600	PLATE GEAR RETAINING	2
8C	11S04D	SCREW SET M10 X 30	2
8D	17S05	WASHER SPRING M10	2
8E	267S06	WASHER FLAT M10	2
9	CR329046	KEY FEATHER BEVEL GEAR HORIZONTAL 1/2X5/16X2"	1
9A	CR329093	KEY FEATHER BEVEL GEAR VERTICAL 1/2X5/16X3/4"	1
10	CR210139	SUPPORT CONICAL STAR	1
10A	333104020	NIPPLE GREASE 1/4 BSP STRAIGHT	2
10B	176S01	COVER NIPPLE GREASE	2
11	CR529011	SHAFT STAR	1
12	CR529012	UPPER LIP SEAL CARRIER	1
13	CR529013	LOWER LIP SEAL CARRIER	1
14	8S02C	BOLTS CARRIER M6 X 35	8
14A	17S03	WASHER SPRING M6	8
15	CR150149	BEARINGS STAR SHAFT	2
16	CR569008	SEAL LIP UPPER	1
17	CR569007	SEAL LIP LOWER	1
21	CR529014	SPACER COLLAR STAR	1
23	8S06G	BOLTS STAR CONICAL M16 X 55	4
23A	267S09	WASHER FLAT M16	8
23B	17S08	WASHER SPRING M16	4
23C	7S06	NUT PLAIN M16	4
24	8S05M	BOLTS TOP SHAFT BEARINGS M12 X 80	4
24A	267S07	WASHER FLAT M12	4
24B	105S05	WASHER TAPER M12	4

# RP100XD MK2 STAR DRIVE ASSEMBLY

---

24C	61S05	NUT BINX M12	4
25	8S04E	BOLTS GEAR MOTOR UNIT M10 X 45	4
25A	17S05	WASHER SPRING M10	4
25B	267S06	WASHER FLAT M10	4
26	CR26100867	STAR ARM CHASSIS/FRAME	1

# RP100XD MK2 MIXING STAR ASSEMBLY

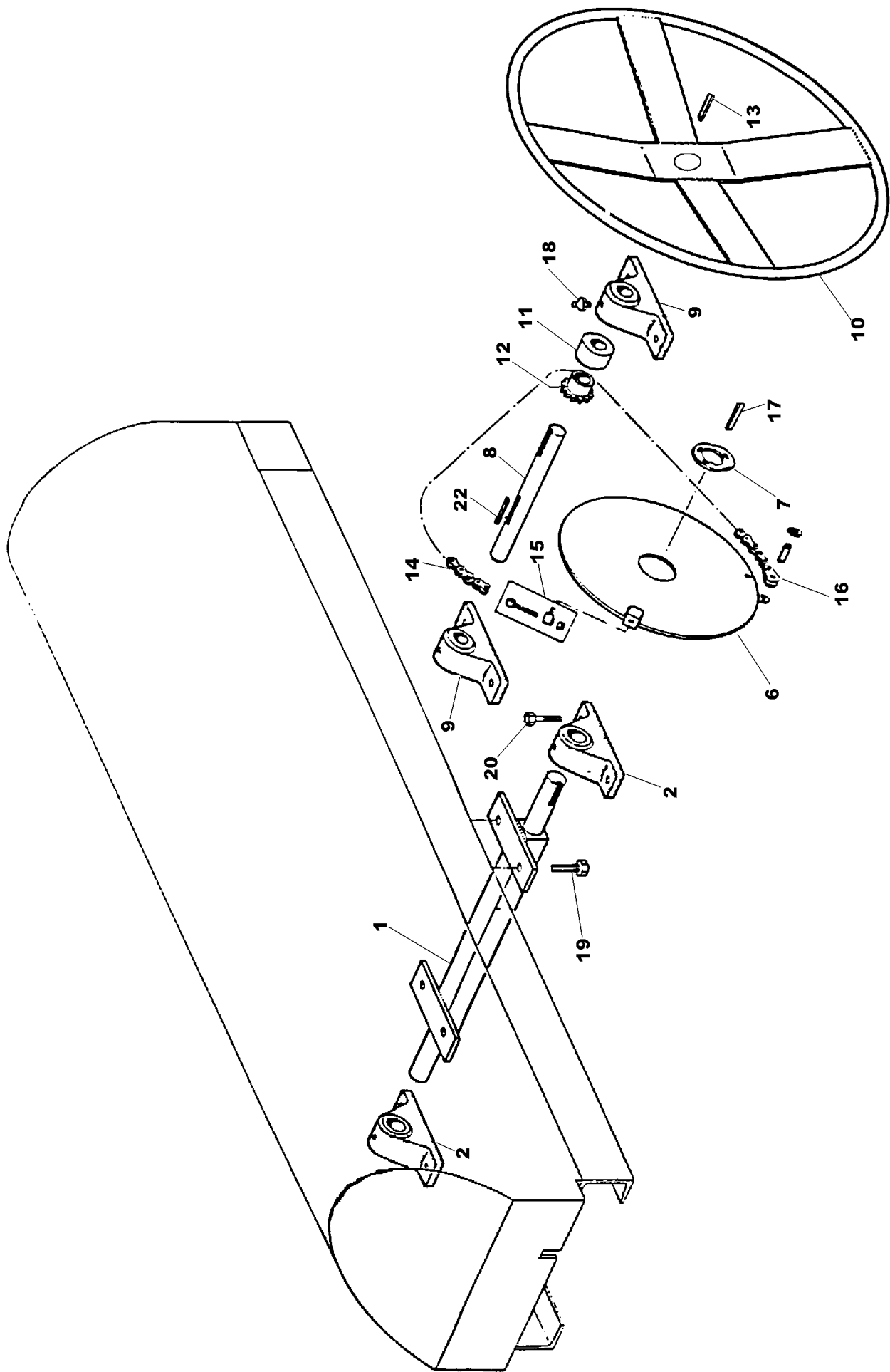


# RP100XD MK2 MIXING STAR ASSEMBLY

---

14	CR529020	KEY CAP	1
14A	11S05B	SCREW SET M12 X 20	1
14B	17S06	WASHER SPRING M12	1
17	CR210140	STAR MIXING	1
18	CR329053	KEY FEATHER MIXING STAR	1
19	CR219009C	BLADE STAR CAST, RIBBED	2
19A	CR219009P	BLADE STAR POLYUREATHANE, RIBBED	2
19B	CR219009SS	BLADE STAR STAINLESS STEEL, RIBBED	2
19C	CR219009SP	BLADE STAR POLYUREATHANE, NO RIBS, SMOOTH FINISH	2
19D	CR219009SC	BLADE STAR CAST, NO RIBS, SMOOTH FINISH	2
20	CR330061	SPRING COMPRESSION STAR BLADE	2
21	11S05K	BOLT ADJUSTING BLADE FINGER M12 X 70	3
21A	7S05	NUT M12	4
22	8S05J	BOLT STAR BLADE M12 X 65	4
22A	267S07	WASHER FLAT M12	8
22B	17S06	WASHER SPRING M12	4
22C	7S05	NUT M12	4
26	CR260390	FINGER STAR BLADE 4 CU FT PAN-RP100	2
28	CR210142	BRACKET FIXED BLADE	1
28A	333104020	NIPPLE GREASE 1/4 BSP STRAIGHT	1
28B	176S01	COVER NIPPLE GREASE	1
29	CR260415	FINGER FIXED BLADE 4 CU FT PAN-RP100	1
31	CR53100880	BLADE FIXED, 4 CU FT PAN-RP100XD MK2	1
32	CR53100881	ANGLE FIXED BLADE MOUNTING RP100XD MK2	1
33	CR639004	COLLAR SPACER	3
33A	10S31	WASHER FLAT	AR
33B	CR289002	GREASE NIPPLE 1/4 BSP 90' ANGLED	2
34	8S04J	BOLT, COLLAR M10 X 65	3
34A	61S04	NUT BINX M10	3
35	8S06F	BOLT M16 X 50	2
35A	17S08	WASHER, SPRING M16	2
35B	267S09	WASHER FLAT M16	2
36	52S05H	BOLT SHORT, FIXED BLADE M12 X 40	2
36A	267S07	WASHER FLAT M12	4
36B	17S06	WASHER SPRING M12	4
36C	7S05	NUT M12	4
37	52S04K	BOLT LONG, FIXED BLADE ANGLE BRACKET M10 X 50	4
37A	17S05	WASHER, SPRING M10	4
37B	7S04	NUT M10	4
38	CR330022	SPRING FIXED BLADE	1

# RP100XD MK2 MIXING STAR LIFTING ARRANGEMENT

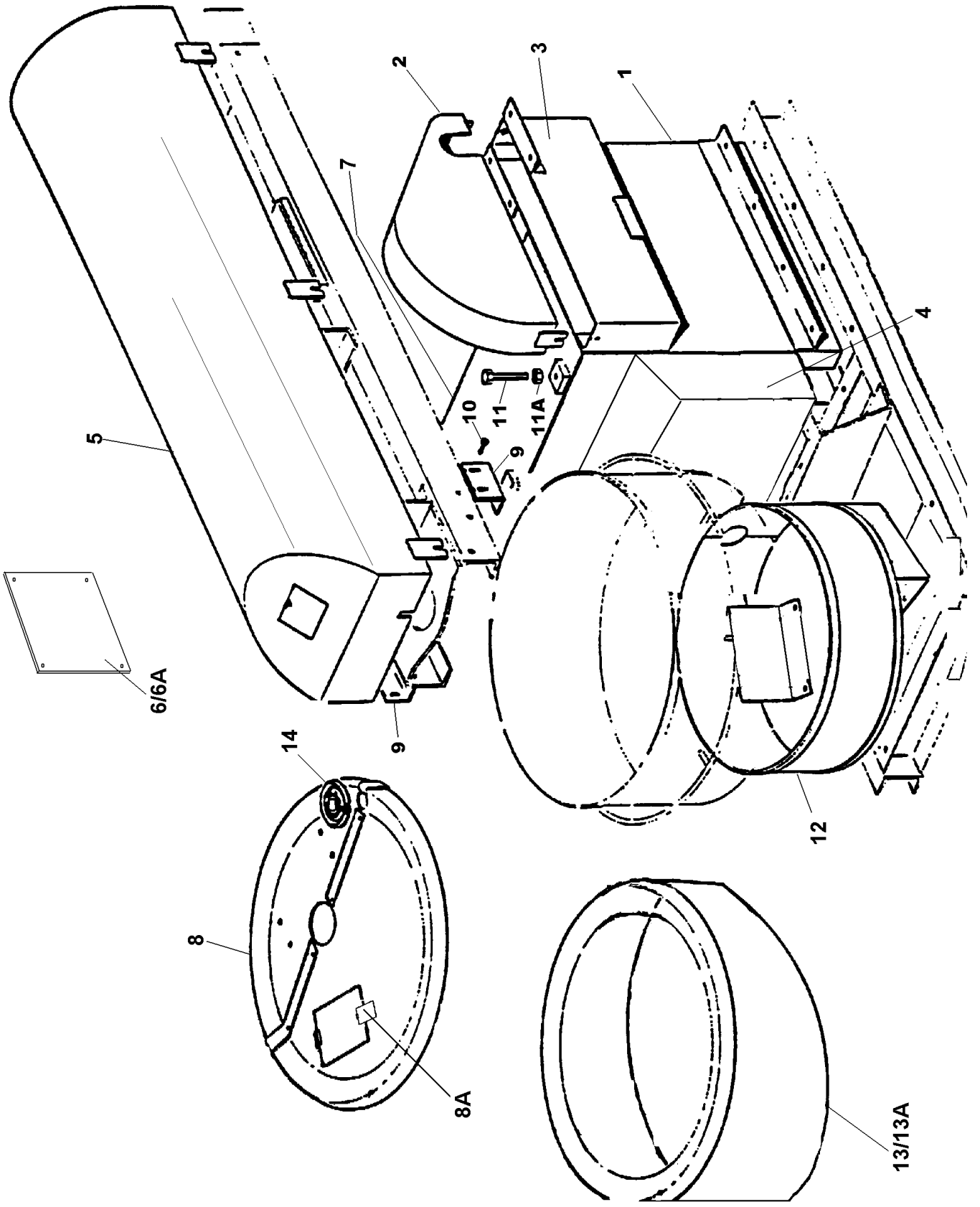


# RP100XD MK2 MIXING STAR LIFTING ARRANGEMENT

---

1	CR52100823	PIVOT SHAFT	1
2	CR15100819	PIVOT SHAFT BEARING 40MM BORE	2
2A	176S01	COVER NIPPLE GREASE	2
6	CR26100816	PLATE, WHEEL, TAPERLOCK FITTING	1
6A	CR66100895	BUSH TAPERLOCK PLATE WHEEL	1
7	CR54100821	CAM, PROXIMITY SWITCH (SEE CAM & PROXIMITY SWITCH)	1
8	CR52100824	SHAFT, HANDWHEEL	1
9	CR15100818	BEARING, HANDWHEEL SHAFT	2
10	CR36100815	HANDWHEEL, TAPERLOCK FITTING	1
10A	CR66100832	BUSH TAPERLOCK HANDWHEEL	1
12	CR34100817	SPROCKET, CHAIN TAPERLOCK FITTING	1
12A	CR66100916	BUSH TAPERLOCK SPROCKET	1
13	304710825	KEY, HANDWHEEL BUSH	1
14	CR20100874	CHAIN, TILTING	1
14A	134104002	LINK SPLIT CHAIN	1
15	CR200134	BOLT & BLOCK, DRAW CHAIN	1
16	CR200072	LINK ATTACHMENT, CHAIN END	1
17	304712863	KEY, PLATE WHEEL BUSH, M12 X 8 X 63	1
18A	176S01	COVER NIPPLE GREASE	2
19	8S06H	BOLTS, PIVOT SHAFT M16 X 60	4
19A	267S08	WASHER FLAT M16	4
19C	61S06	NUT BINX M16	4
19D	105S07	WASHER TAPERED M16	4
20	8S05E	BOLT, BEARINGS M12 X 45	8
20A	267S07	WASHER FLAT M12	16
20B	61S05	NUT BINX M12	8
21	CR22100878	SWITCH PROXIMITY, NOT ILLUSTRATED	1
21A	CR53100887	ANGLE BRACKET SWITCH MOUNTING, NOT ILLUSTRATED	1
21B	11S02A	SCREW SET M6 X 16, NOT ILLUSTRATED	4
21C	267S04	WASHER FLAT M6	4
21D	17S03	WASHER SPRING M6	4
22	304708035	KEY PARALLEL, SPROCKET BUSH	1

# RP100XD MK2 COVERS & GUARDS



# RP100XD MK2 COVERS & GUARDS

1	CR53100833	HOUSING ASSEMBLY PAN DRIVE MOTOR	1
1A	11S05D	SCREW SET M12 X 30	8
1B	267S07	WASHER FLAT M12	8
1D	61S05	NUT BINX M12	8
2	CR54100820	GUARD, CHAIN UPPER	1
2A	7S04	NUT M10	2
2B	17S05	WASHER SPRING M10	2
2C	267S06	WASHER FLAT M10	2
3	CR53100814	COVER CHAIN LOWER	1
3A	11S05D	SCREW SET M12 X 30	6
3B	267S07	WASHER FLAT M12	6
3C	61S05	NUT BINX M12	6
4	CR54100862	GUARD PAN DRIVE SHAFT	1
4A	11S04C	SCREW SET M10 X 25	4
4B	267S06	WASHER FLAT M10	4
4C	17S05	WASHER SPRING M10	4
5	CR54100822	GUARD STAR DRIVE	1
5A	V2003215	DOOR PULL, NOT ILLUSTRATED	2
5B	11S02A	SCREW SET M6 X 20	4
5C	267S04	WASHER FLAT M6	4
5D	17S03	WASHER SPRING M6	4
5E	7S03	NUT M6	4
5F	11S05D	SCREW SET M12 X 30	6
5G	17S05	WASHER SPRING M12	6
5H	267S07	WASHER FLAT M12	6
6	CR53100897	COVER INSPECTION, HOUSING SIDE, R/H, NOT ILLUS	1
6A	11S03B	SCREW SET M8 X 20	4
6B	17S04	WASHER SPRING M8	4
6C	267S05	WASHER FLAT M8	4
6D	CR53100909	COVER INSPECTION, HOUSING SIDE, L/H, NOT ILLUS	1
6E	11S03B	SCREW SET M8 X 20	4
6F	17S04	WASHER SPRING M8	4
6G	267S05	WASHER FLAT M8	4
7	CR53100875	COVER FRONT, HOUSING NOT ILLUSTRATED	1
7A	11S03B	SCREW SET M8 X 20	4
7B	17S04	WASHER SPRING M8	4
7C	267S05	WASHER FLAT M8	4
8	CR54100825	COVER DUST ASSEMBLY	1
8A	CR249505	CATCH INSPECTION HATCH	1
8B	11S03C	SCREW SET M8 X 25	5
8C	17S04	WASHER SPRING M8	5
8D	267S05	WASHER FLAT M8	5
9	CR540442	CLEAT, DUST COVER TO FRAME	2
9A	11S04C	SCREW SET M10 X 25 CLEAT TO DUST COVER	4
9B	267S06	WASHER FLAT M10	8
9C	17S05	WASHER SPRING M10	4
9D	7S04	NUT PLAIN M10	4
10	11S05D	SCREW SET M12 X 30 CLEAT TO FRAME	4
10A	267S07	WASHER FLAT M12	8
10B	17S06	WASHER SPRING M12	4
10C	7S05	NUT PLAIN M12	4
11	11S07T	SCREW SET STAR FRAME STOP M20 X 100	2

## RP100XD MK2 COVERS & GUARDS

---

11A	7S07	NUT PLAIN M20	2
12	CR54100839	GUARD PAN DRIVE GEAR/PAN RIM	1
12A	11S04D	SCREW SET M10 X 30	4
12B	267S06	WASHER FLAT M10	8
12C	17S05	WASHER SPRING M10	4
12D	7S04	NUT M10	4
13	CR54100826	GUARD, PAN COVER SIDE, RH	1
13A	CR54100827	GUARD, PAN COVER SIDE, LH	1
13B	CR54100828	GUARD PAN COVER REAR, NOT ILLUSTRATED	1
13C	11S03B	SCREW SET M8 X 20	21
13D	17S04	WASHER SPRING M8	21
13E	267S05	WASHER FLAT M8	21
13F	7S03	NUT M8	9
14	CR570019	SEAL RUBBER	1

**PAGE INTENTIONALLY BLANK**

# RP100XD MK2 PROXIMITY SWITCHES & CAM

---

## PARTS NOT ILUSTRATED

1	CR22100878	SWITCH PROXIMITY, PAN	2
2	CR22100886	SWITCH PROXIMITY, STAR LIFTING	1
3	CR53100887	ANGLE BRACKET, SWITCH MOUNTING STAR LIFTING	1
4	11S02C	SCREW SET M6 X 25	2
5	17S03	WASHER SPRING M6	2
6	267S04	WASHER FLAT M6	2
7	7S02	NUT M6	2
8	CR54100821	CAM, SWITCH OPERATING, STAR LIFTING	1
9	11S02C	SCREW SET M6 X 25	2
10	17S03	WASHER SPRING M6	2
11	267S04	WASHER FLAT M6	2
12	CR54100863	BRACKET, PROXIMITY SWITCH PAN	2
13	11S03C	SCREW SET M8 X 25	4
14	267S05	WASHER FLAT M8	4
15	17S04	WASHER SPRING M8	2
16	7S03	NUT M8	2
17	7000410	COVER SPIRAL GUARD	6MT
18	143200300	CLIP 'P'	2
19	11S02B	SCREW SET M6 X 20	2
20	267S04	WASHER FLAT M6	2
21	17S03	WASHER SPRING M6	2
22	7S02	NUT M6	2
23	V2003252	GROMMET OPEN	2

# RP100XD MK2 ELECTRICAL SWITCH GEAR

## PARTS NOT ILLUSTRATED

1	CR22100907	CONTROL PANEL ASSEM, HIGH LEVEL MOUNTING 240V 1PH	1
1	CR22100901	CONTROL PANEL ASSEM, HIGH LEVEL MOUNTING 415V 3PH	1
1A	CR53100873	BRACKET SUPPORT CONTROL PANEL MOUNTING	1
1B	11S03C	SCREW SET M8 X 30	4
1C	267S05	WASHER FLAT M8	8
1D	17S04	WASHER SPRING M8	4
1E	61S03	NUT BINX M8	4
1F	11S01C	SCREW SET M5 X 25	6
1G	267S03	WASHER FLAT M5	6
1H	17S02	WASHER SPRING M5	6
IJ	7S01	NUT M5	6
2	CR229109	SP20 CONDUIT	4MT
3	CR229110	SP20/M20/TYP E B FITTINGS	12
4	191902200	TERMINAL RING 'CRIMP ON TYPE' BLUE	8
5	144799000	CABLE 1.5MM SQ G/Y (6491X H07)	4MT
6	144700100	CABLE 1.5MM SQ RED (6491X H07)	4MT
7	144798000	CABLE 1.5MM SQ BLACK (6491X H07)	4MT
8	CR229103	CABLE 2.5MM SQ RED (6491X H07)	3MT
9	CR229104	CABLE 2.5MM SQ YELLOW (6491X H07)	3MT
10	CR229105	CABLE 2.5MM SQ BLUE (6491X H07)	3MT
11	CR229097	TERMINAL RING 'CRIMP ON TYPE'	2
12	CR229114	LOCK RINGS 20MM	3
13	CR22100879	CONVERTER PG16-M20	2
14	513340800	BOSS	4
15	143200300	CLIP 'P'	2
16	11S02B	SCREW SET M6 X 20	2
17	267S04	WASHER FLAT M6	4
18	17S03	WASHER SPRING M6	2
19	7S02	NUT M6	2
20	CR22100886	SWITCH PROXIMTY, MIXING STAR LIFTING PROTECTION	1
21	CR22100878	SWITCH PROXIMTY, PAN DRIVE PROTECTION	2

# RP100XD MK2 DECALS AND LOGOS

## 1 CROKER CUMFLOW RP100XD

2

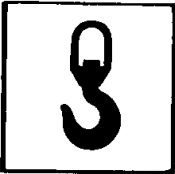
<b>WINGET</b> WINGET LIMITED P.O. Box 89, Shepperton, Bucks, Bucks, MK45 0WV Tel: 01849 891111 Fax: 01849 891112	
Model	_____
Serial No.	_____
Engine No.	_____
Capacity	_____
SRQ No.	_____
Year Of Manuf.	_____
Mass (kg)	_____
Power (kW)	_____
Eng. (rpm)	_____
Drum (rpm)	_____

A Gossamer Group Company

4

**WINGET**

5



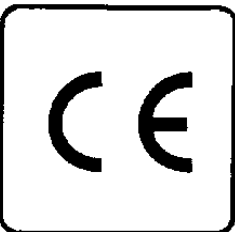
6



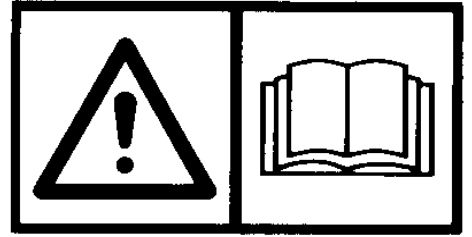
7



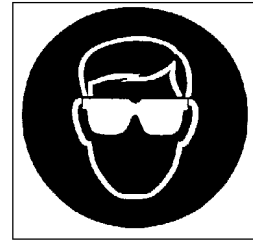
8



9



10



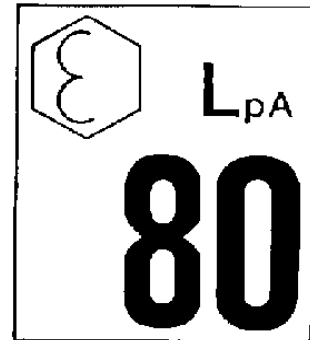
11

**SAFETY WARNING**

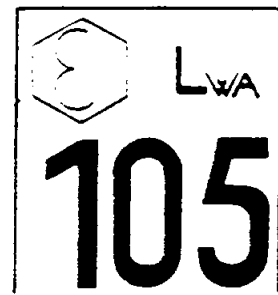
- 1 Before starting this machine the operator should be familiar with the operating instructions issued by the manufacturer
- 2 The manufacturer's rated capacity must never be exceeded
- 3 Before carrying out any maintenance servicing, or greasing, always ensure that the engine has been switched off. Never work on a machine while it is running

W5480195x11

12



13



# RP100XD MK2 DECALS AND LOGOS

---

1	CR85100763	DECAL RP100XD	2
2	V2003037	PLATE SERIAL NUMBER	1
3	101S05D	RIVET POP	4
4	V2003039	DECAL 'WINGET' MEDIUM	2
5	V2003665	DECAL SLING POINT	4
6	V2003598	DECAL BRITISH MADE	2
7	V2004307	DECAL ELECTRICAL HAZARD	2
8	V2004223	DECAL 'CE' MARK	1
9	V2004229	DECAL OPERATORS HANDBOOK	2
10	V2004744	DECAL EYE PROTECTION	2
11	504694600	DECAL SAFETY	1
12	V2004130	DECAL NOISE 80 LPA	1
13	V2003575	DECAL NOISE 105 LWA	1

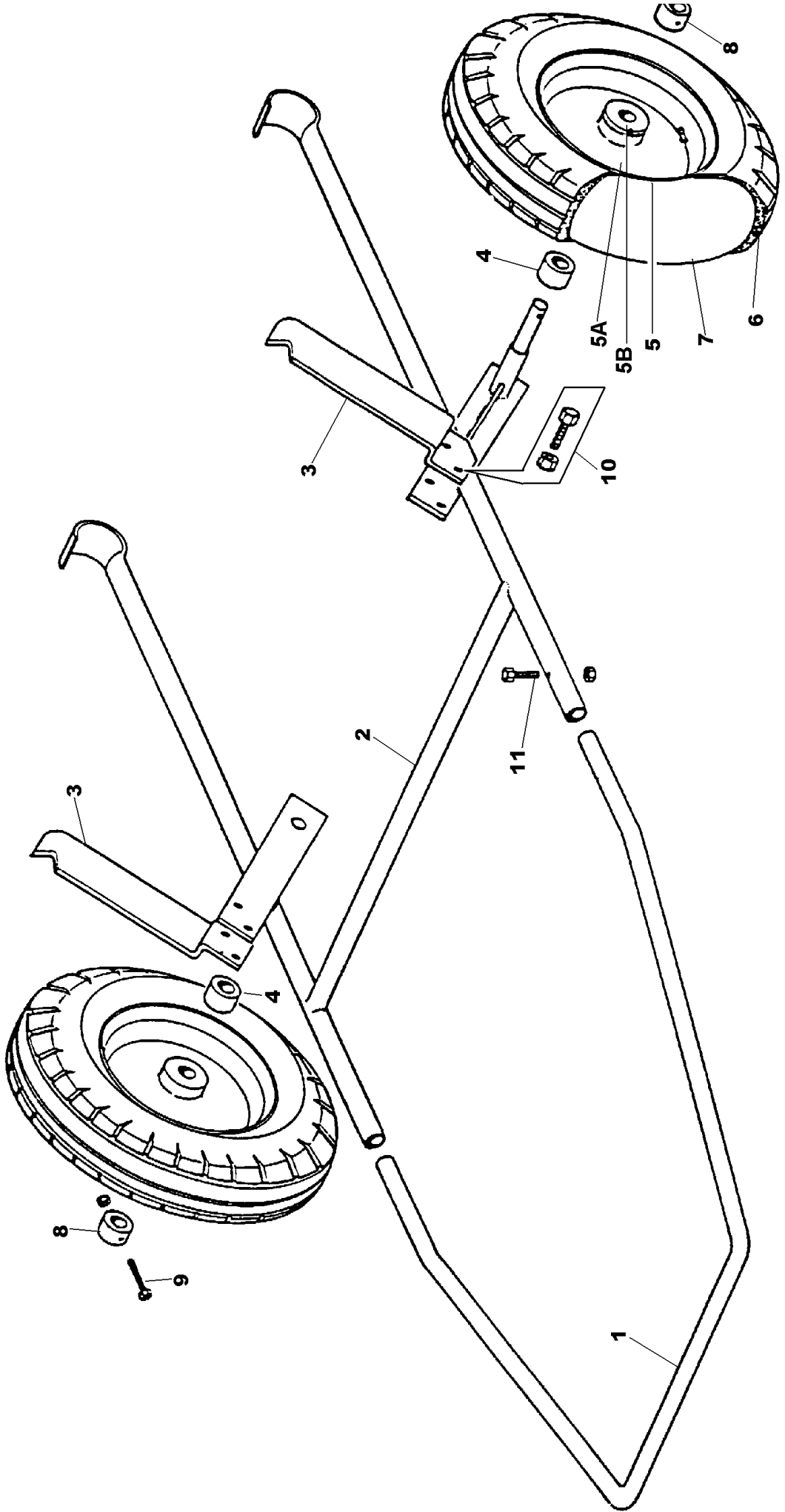
**OPERATING  
AND  
MAINTENANCE MANUAL**

**SECTION 5**

**ANCILLARY EQUIPMENT  
SPARE PARTS**

**PAGE INTENTIONALLY BLANK**

# RP100XD PAN TROLLEY

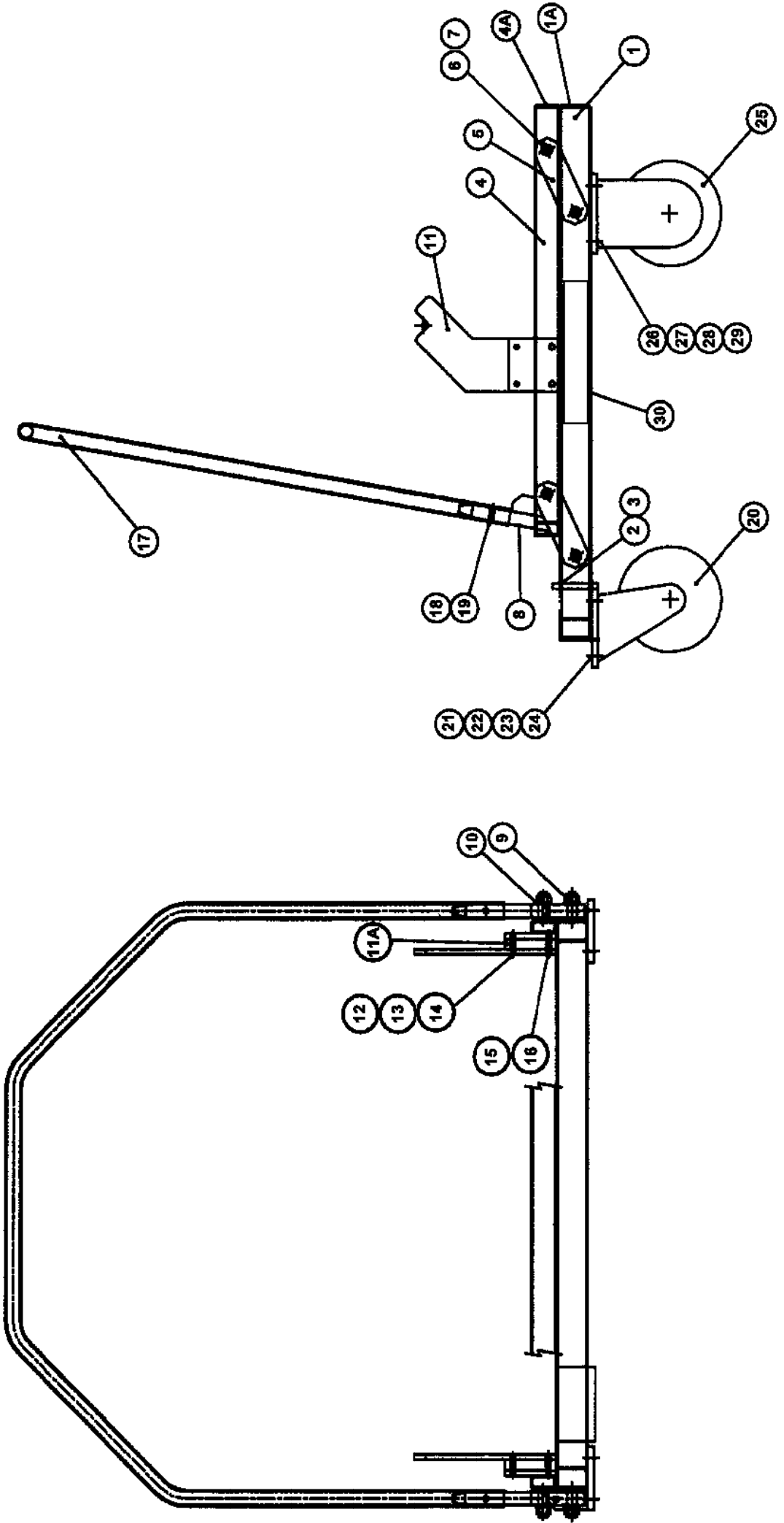


# RP100XD PAN TROLLEY

---

1	CR260392	HANDLE, TROLLEY	1
2	CR260391	CHASSIS TROLLEY	1
3	CR530485	SUPPORT PAN (IN PAIRS)	1PR
4	10S65	SPACER WASHER, AXLE (WHEN REQUIRED)	4
5	CR440151	WHEEL ASSEMBLY INC ITEMS 5,6 & 7	2
5A	CR440122	WHEEL RIM	2
5B	CR440125	BEARING ROLLER	2
6	CR440123	TYRE	2
7	CR440124	TUBE	2
8	CR630105	BOSS, WHEEL RETAINER	2
9	69S03G	BOLT 3/8" UNF	2
9A	107S14	NUT NYLOC 3/8" UNF	2
10	11S06F	SCREW SET	4
10A	267S09	WASHER FLAT	8
10B	61S06	NUT BINX	4
11	69S03G	BOLT 3/8" UNF	2
11A	107S14	NUT NYLOC 3/8" UNF	2

# RP100XD FOUR WHEEL PAN TROLLEY



# RP100XD MK2 FOUR WHEEL PAN TROLLEY

## FROM MARCH 2001 ONWARDS

1	CR26100858	FRAME LOWER	1
1A	CR47100860	INSERT BLANKING 60 X 40	2
2	11S04G	STOP SCREWS M10 X 45	2
3	7S04	NUT M10	4
4	CR26100857	FRAME UPPER	1
4A	CR47100861	INSERT BLANKING 50 X 25	2
5	CR26100850	PIVOT BAR FRONT	2
6	59S11	NUT NYLOC M16	4
7	267S09	WASHER FLAT M16	4
8	CR53100849	PIVOT BAR REAR C/W HANDLE CARRIERS	2
9	59S11	NUT NYLOC M16	4
10	267S09	WASHER FLAT M16	4
11	CR53100852	PLATE PICKUP, PAN SUPPORT	2
11A	CR53100853	PLATE SPACER	2
12	8S03E	BOLT UPPER M8 x 45	4
13	17S04	WASHER SPRING M8	4
14	267S05	WASHER FLAT M8	4
15	8S03D	BOLT LOWER M8 x 40	4
16	17S04	WASHER SPRING M8	4
17	CR53100846	HANDLE TROLLEY	1
18	8S03E	BOLT HANDLE RETAINING M8 x 45	2
19	61S03	NUT BINX M8	2
20	CR449001	CASTOR SWIVEL REAR ASSEMBLY	2
<b>INDIVIDUAL WHEEL ITEMS AVAILABLE AS FOLLOWS</b>			
20A	CR449002	WHEEL ASSEMBLY C/W BEARING	1
20B	CR449005	WHEEL CENTRE BUSH/SPACER	1
20C	11S05P	BOLT M12 x 80	1
20D	61S05	NUT BINX M12	1
21	11S04D	BOLT CASTOR RETAINING M10 x 30	8
22	267S06	WASHER FLAT M10	8
23	17S05	WASHER SPRING M10	8
24	7S04	NUT M10	8
25	CR449000	CASTOR FIXED FRONT ASSEMBLY	2
<b>INDIVIDUAL WHEEL ITEMS AVAILABLE AS FOLLOWS</b>			
25A	CR449002	WHEEL ASSEMBLY C/W BEARING	1
25B	CR449005	WHEEL CENTRE BUSH/SPACER	1
25C	11S05P	BOLT M12 x 80	1
25D	61S05	NUT BINX M12	1
26	11S04D	BOLT CASTOR RETAINING M10 x 30	8
27	267S06	WASHER FLAT M10	8
28	17S05	WASHER SPRING M10	8
29	7S04	NUT M10	8
30	V2004636	DECAL WINGET SMALL	2

# RP100XD MK2 ADDITIONAL PARTS REQUIREMENT MoD

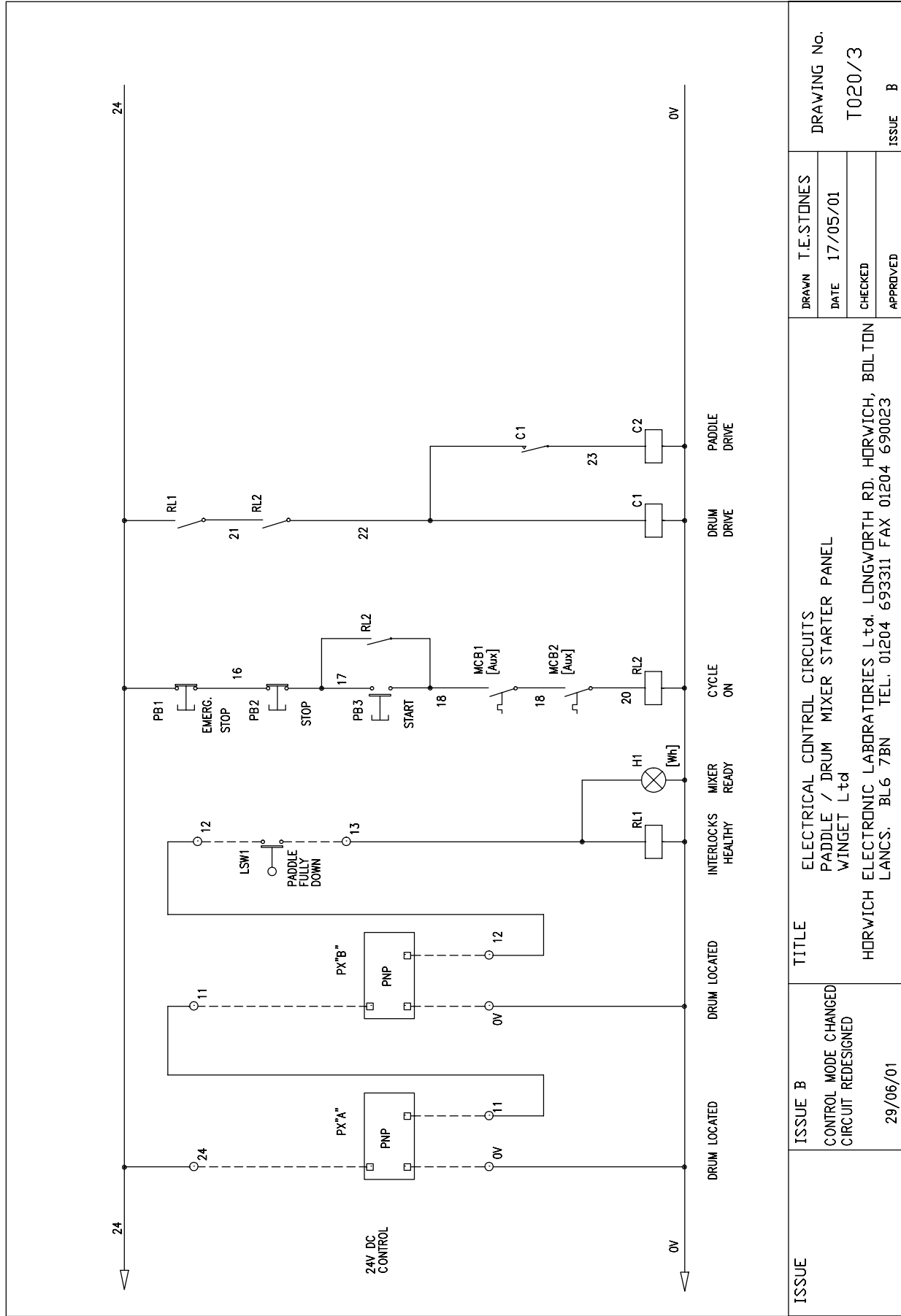
---

ADDITIONAL PARTS LISTED BELOW ARE NOT ILLUSTRATED

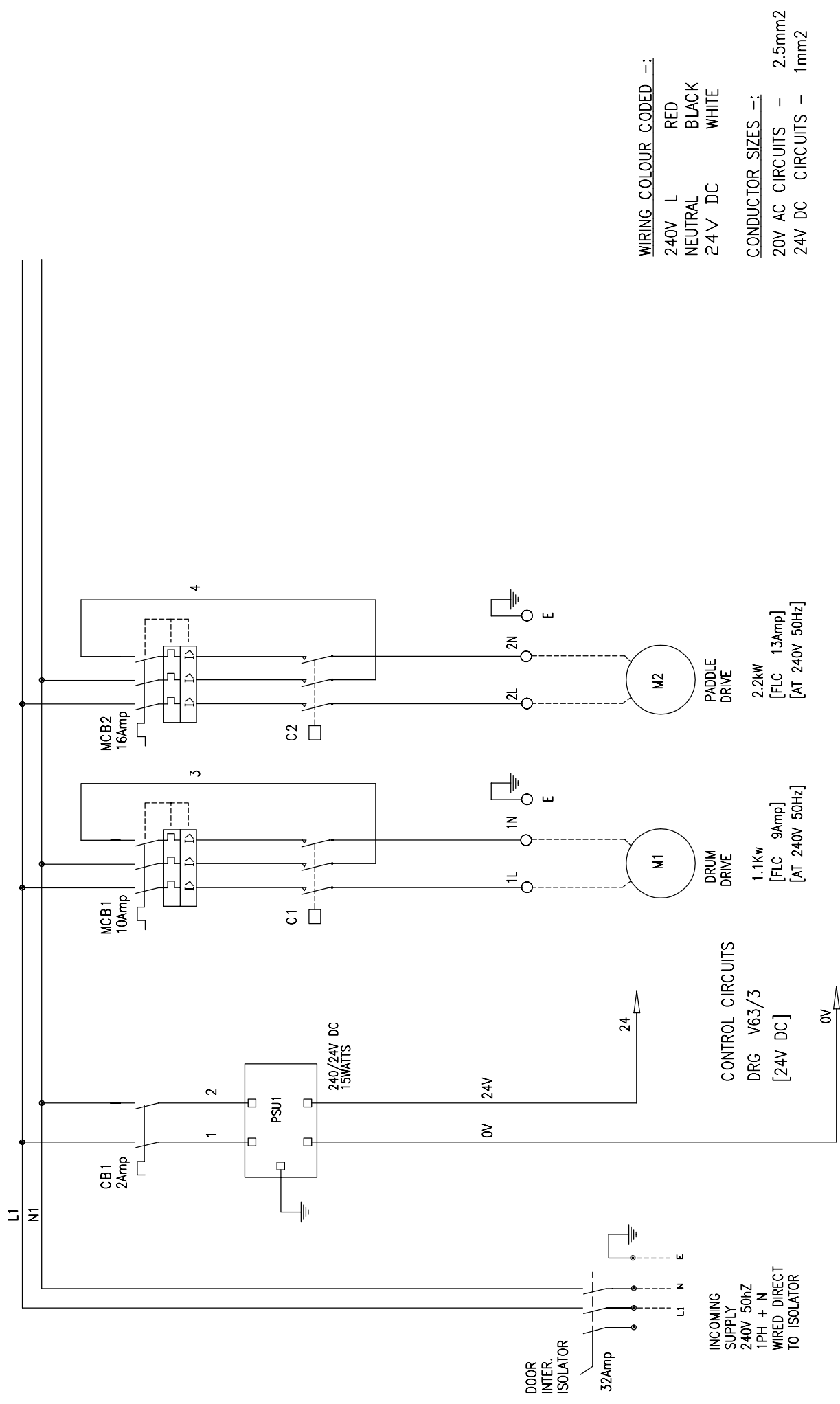
1	V2005120	PLATE - NOMENCLATURE/INSCRIPTION	1
2	101S05D	RIVET POP	4
3	V2005132	TOOL KIT	1
4	CR54100774	TOOL BOX	1
5	11S04B	SCREW SET M10	2
6	17S05	WASHER SPRING M10	2
7	7S04	NUT M10	2

**OPERATING  
AND  
MAINTENANCE MANUAL**

**SECTION 6  
ELECTRICAL SYSTEM**



ISSUE	ISSUE B	TITLE	DRAWN T.E.STONES	DRAWING No.
	CONTROL MODE CHANGED CIRCUIT REDESIGNED			
	29/06/01	HORWICH ELECTRONIC LABORATORIES Ltd, LONGWORTH RD, HORWICH, BOLTON LANCS. BL6 7BN TEL: 01204 693311 FAX 01204 690023	CHECKED	
			APPROVED	ISSUE B



WIRING COLOUR CODED -:  
 240V L RED  
 NEUTRAL BLACK  
 24V DC WHITE

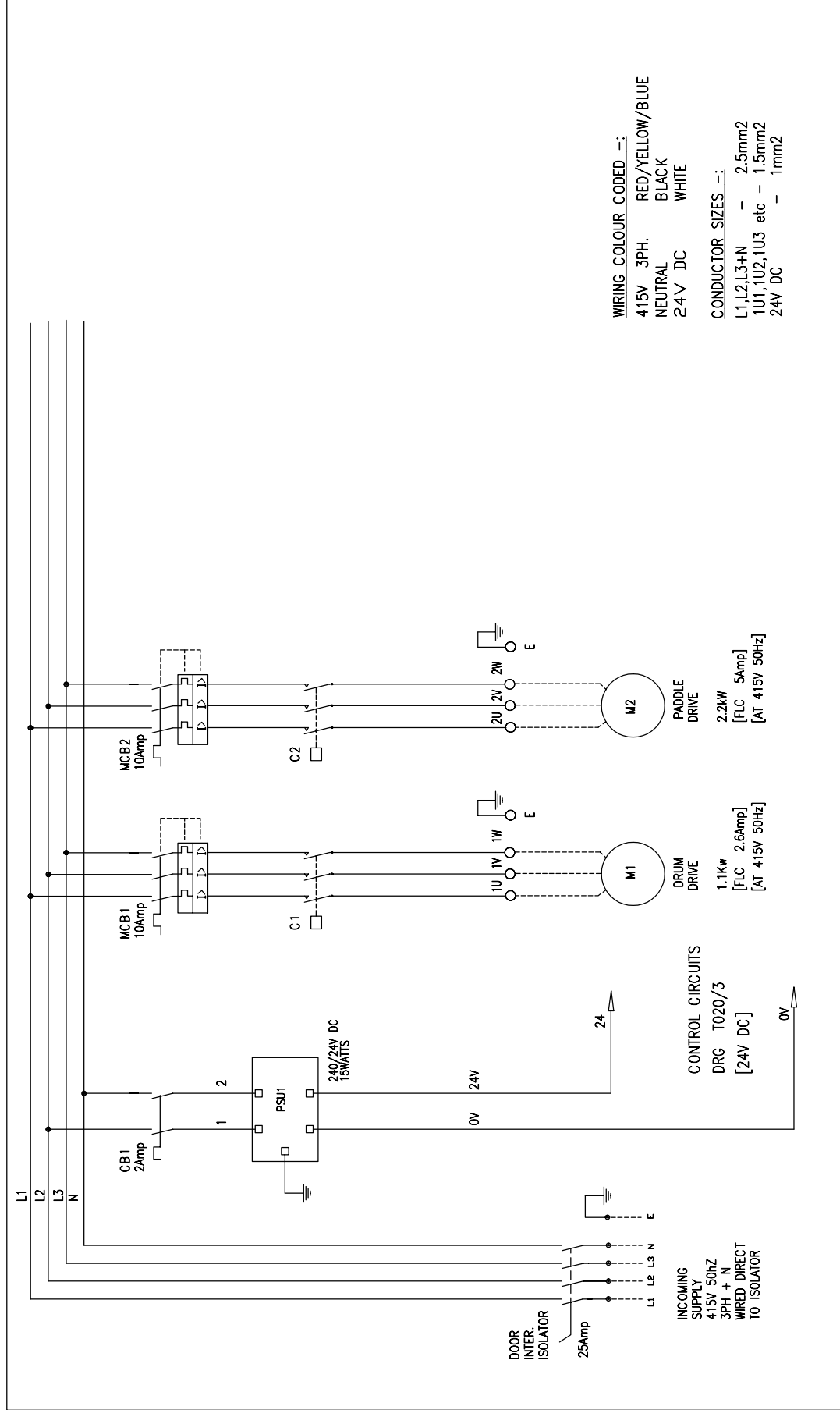
CONDUCTOR SIZES -:  
 20V AC CIRCUITS - 2.5mm<sup>2</sup>  
 24V DC CIRCUITS - 1mm<sup>2</sup>

DRAWN	T.E.STONES
DATE	29/10/02
CHECKED	
APPROVED	

ISSUE	
TITLE	ELECTRICAL POWER CIRCUITS PADDLE / DRUM MIXER STARTER PANEL WINGET Ltd
ISSUE	

HORWICH ELECTRONIC LABORATORIES L.td. LONGWORTH RD. HORWICH, BOLTON  
 LANCS. BL6 7BN TEL. 01204 693311 FAX 01204 690023

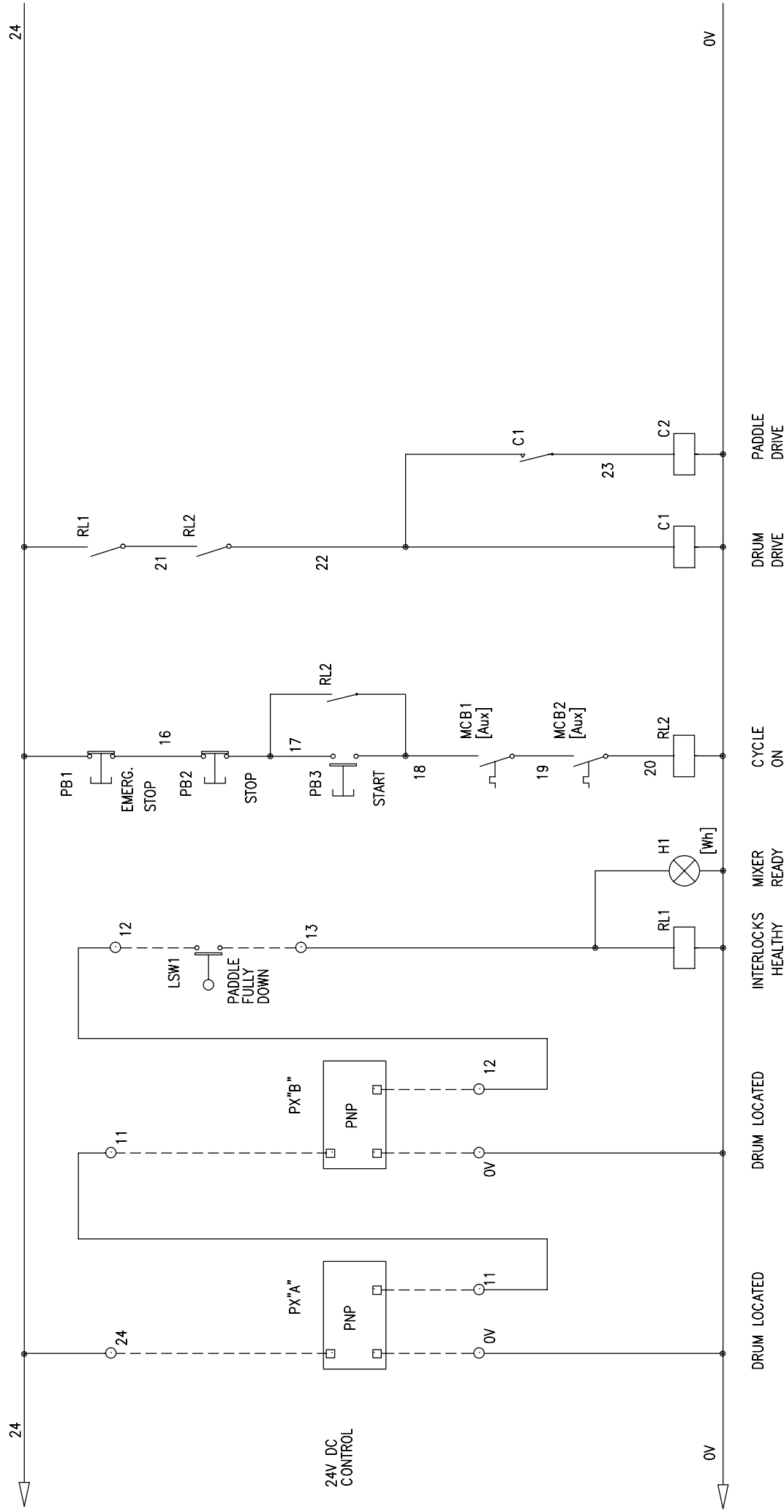
ISSUE	
TITLE	ELECTRICAL POWER CIRCUITS PADDLE / DRUM MIXER STARTER PANEL WINGET L.td
ISSUE	



WIRING COLOUR CODED -:  
 415V 3PH. RED/YELLOW/BLUE  
 NEUTRAL BLACK  
 24V DC WHITE

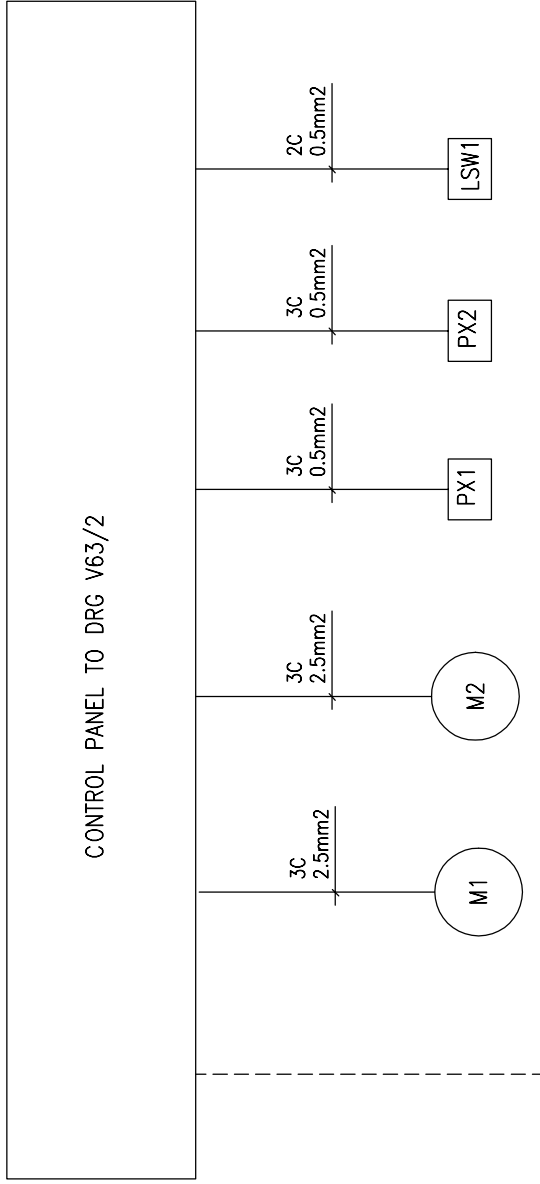
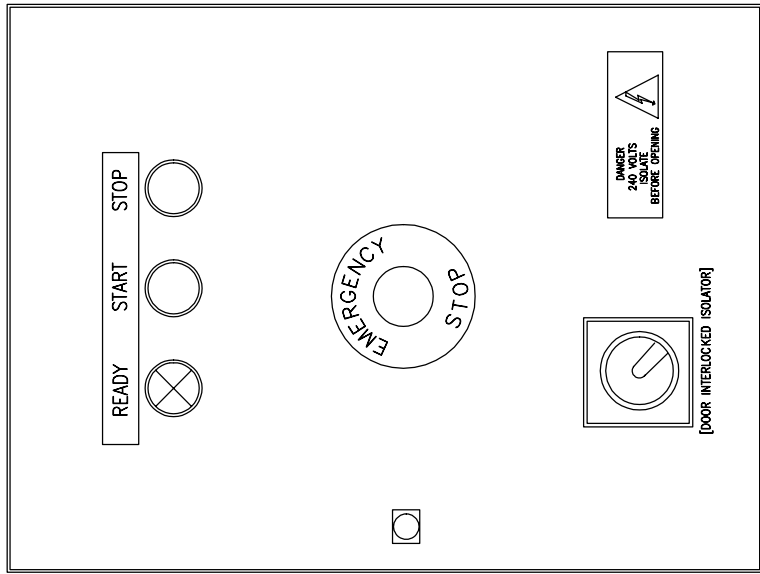
CONDUCTOR SIZES -:  
 L1,L2,L3+N - 2.5mm<sup>2</sup>  
 1U1,1U2,1U3 etc - 1.5mm<sup>2</sup>  
 24V DC - 1mm<sup>2</sup>

ISSUE	ISSUE	TITLE	ELECTRICAL POWER CIRCUITS				DRAWN	T.E.STONES	DRAWING No.
			PADDLE / DRUM MIXER STARTER PANEL						
			WINGET Ltd				DATE	17/05/01	T020/2
			HORWICH ELECTRONIC LABORATORIES Ltd. LONGWORTH RD. HORWICH, BOLTON LANCs. BL6 7BN TEL: 01204 693311 FAX 01204 690023				CHECKED		
							APPROVED	ISSUE	A



ISSUE	TITLE	ELECTRICAL CONTROL CIRCUITS	
		PADDLE / DRUM MIXER STARTER PANEL	
		WINGET L td	
		HORWICH ELECTRONIC LABORATORIES L td. LONGWORTH RD. HORWICH, BOLTON	
DRAWN	T.E.STONES	DRAWING No.	
		DATE 29/10/02	
		CHECKED	
		APPROVED	
ISSUE		A	

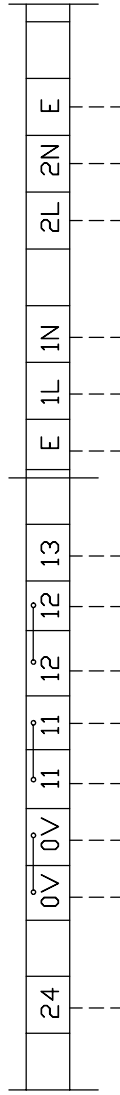




BOTTOM CABLE ENTRY GLAND PLATE

ENCLOSURE NOML SIZE 400H X 300W X 150 D  
MILD STEEL CONSTRUCTION IP65  
FINISH PAINTED RAL 7032

COMPONENT LABELS W/B/W TRAFFOLYTE  
WARNING LABELS Y/B/Y TRAFFOLYTE



PXA - DRUM LOCATED (1) 24 / 0V / 11 [BRN/BLUE/Gn.Yw]  
 PXB - DRUM LOCATED (2) 11 / 0V / 12 [Brown/Blue/Gn.Yw]  
 LSW1-MIXING ARM LOCATED 12 / 13 [Brown/Blue]

MIXING DRUM DRIVE  
 MIXING PADDLE DRIVE

CONTROL CIRCUITS TO DRG V63/2-3

ISSUE	TITLE	GENERAL DETAILS ELECTRICAL CONTROL PANEL	
		PADDLE / DRUM MIXER	WINGET L td
ISSUE	TITLE	CONTROL CIRCUITS TO DRG V63/2-3	
ISSUE	DRAWN	T.E.STONES	
ISSUE	DATE	29/10/02	
ISSUE	CHECKED		
ISSUE	APPROVED		
ISSUE	DRAWING No.	V63/1	
ISSUE	ISSUE	A	

HORWICH ELECTRONIC LABORATORIES L td. LONGWORTH RD. HORWICH, BOLTON  
 LANCS. BL6 7BN TEL. 01204 693311 FAX 01204 690023





**OPERATING  
AND  
MAINTENANCE MANUAL**

**SECTION 7  
MISCELLANEOUS**

## 7.1 NOISE DETAILS

Measured in accordance with Article V of Directive 2000/14/EC

Noise Emission in the Environment by Equipment for Use Outdoors the noise levels should not exceed 105Lwa