

WINGET

OPERATORS HANDBOOK VIBRATORY COMPACTOR PLATES

CP305AV, CP355AV
CP405AV, CP455AV



WINGET LIMITED
PO BOX 41
EDGEFOLD INDUSTRIAL ESTATE
PLODDER LANE
BOLTON, LANCS
BL4 0LR
Tel: ++ 44 (0) 1204 854650
Fax: ++ 44 (0) 1204 854663
parts@winget.co.uk
service@winget.co.uk
www.winget.co.uk

This manual covers
the following models
from serial numbers:

CP305AV -

CP355AV -

CP405AV -

CP455AV -

TABLE OF CONTENTS

<u>Safety Information</u>	1	Exciter Disassembly	5
Introduction	1	Assembly Instructions	6
Safety Precautions	1	Exciter Assembly	6
Safety Decals	1	<u>Service</u>	7
<u>Specifications</u>	3	Torque Chart	7
<u>Operation</u>	4	Service Tools	7
Introduction	4	Parts Replacement Cycles & Tolerances	7
Before Starting & Operating	4	<u>Replacement Parts</u>	9
<u>Maintenance</u>	5	Figure 2: EXCITER ASSEMBLY	10
Maintenance Schedule	5	Figure 3: PLATE ASSEMBLY	12
Fluid Levels	5	Figure 4: WATER TANK ASSEMBLY	14
Engine Maintenance	5	Figure 5: WHEEL KIT ASSEMBLY	16
Disassembly Instructions	5	Figure 6: MAT KIT ASSEMBLY	18
Engine Removal/ Installation	5	<u>Warranty</u>	20

SAFETY INFORMATION

Introduction



This Safety Alert Symbol is used to call attention to items or operations which may be dangerous to those operating or working with this equipment. The symbol can be found throughout this manual and on the unit. Please read these warnings and cautions, along with all decals, carefully before attempting to operate the unit. Make sure every individual who operates or works with this equipment is familiar with all safety precautions.



GENERAL WARNING. Indicates information important to the proper operation of the equipment. Failure to observe may result in damage to the equipment and/or severe bodily injury or death.



GENERAL CAUTION. Indicates information important to the proper operation of the equipment. Failure to observe may result in damage to the equipment.

Safety Precautions



LETHAL EXHAUST GAS: An internal combustion engine discharges carbon monoxide, a poisonous, odorless, invisible gas. Death or serious illness may result if inhaled. Operate only in an area with proper ventilation. **NEVER OPERATE IN A CONFINED AREA!**



DANGEROUS FUELS: Use extreme caution when storing, handling and using fuels, as they are highly volatile and explosive in vapor state. Do not add fuel while engine is running. Stop and cool the engine before adding fuel. **DO NOT SMOKE!**



SAFETY GUARDS: It is the owner's responsibility to ensure that all guards and shields are in place and in working order.



IGNITION SYSTEMS: Breakerless, magneto, and battery ignition systems can cause severe electrical shocks. Avoid contacting these units or their wiring.



SAFE DRESS: Do not wear loose clothing, rings, wristwatches, etc. near machinery.



NOISE PROTECTION: Wear OSHA specified hearing protection devices.



EYE PROTECTION: Wear OSHA specified eye shields, safety glasses, and sweat bands.



HEAD PROTECTION: Wear OSHA specified safety helmets.



DUST PROTECTION: Wear OSHA specified dust mask or respirator.



OPERATOR: Keep children and bystanders off and away from the equipment.

REFERENCES: For details on safety rules and regulations in the United States, contact your local Occupational Safety and Health Administration (OSHA) office. Equipment operated in other countries must be operated and serviced in accordance and compliance with any and all safety requirements of that country. The publication of these safety precautions is done for your information. WINGET does not by the publication of these precautions, imply or in any way represent that these are the sum of all dangers present near WINGET equipment. If you are operating WINGET equipment, it is your responsibility to insure that such operation is in full accordance with all applicable safety requirements and codes. All requirements of the United States Federal Occupational Safety and Health Administration Act must be met when operated in areas that are under the jurisdiction of that United States Department.

Safety Decals

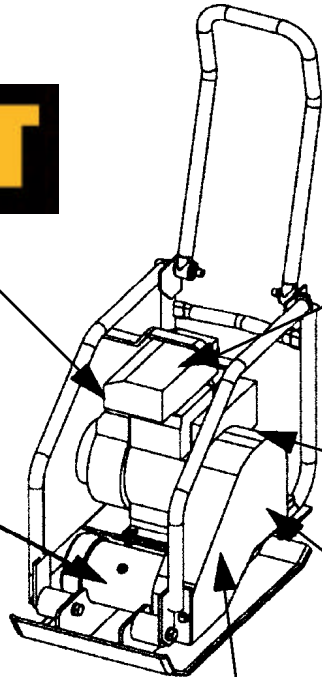
Carefully read and follow all safety decals. Keep them in good condition. If decals become damaged, replace as required. If repainting the unit, replace all decals. Decals are available from authorized WINGET distributors. Order the decal set listed on the following page(s).

WINGET

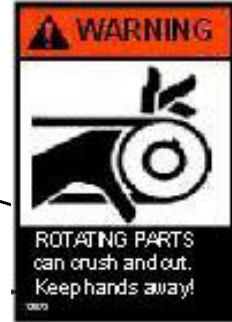
V2006082



#09311



#13483

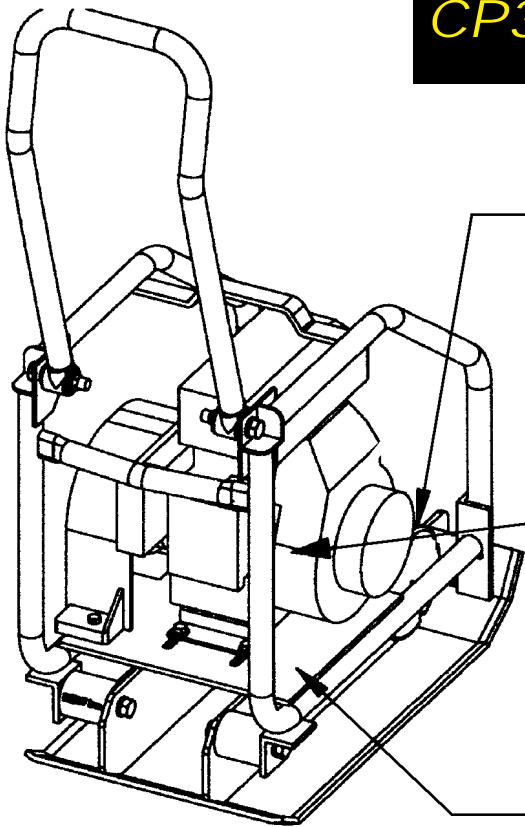


#12573

CP305AV

WINGET

V2006082



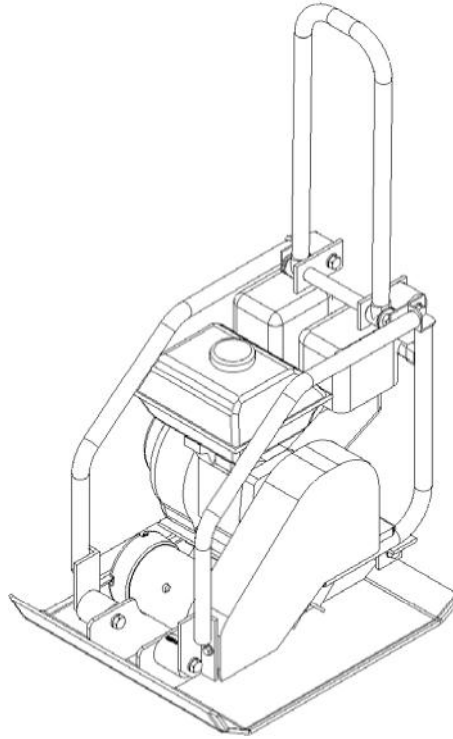
SERIAL NUMBER
STAMPED ON EXCITER
HOUSING



#13482

SERIAL NUMBER
DECAL LOCATION

SPECIFICATIONS



	UNITS	CP305AV	CP355AV	CP405AV	CP455AV
Operating Weight	lbs (kg)	108 (49)	139 (63)	145 (66)	154 (70)
Plate Size W x L	in (cm)	12 x 21 (30 x 53)	14 x 21 (36 x 53)	16 x 21 (40 x 53)	18 x 21 (46 x 53)
Compaction Force	lbs (kg)	2134 (970)	2530 (1150)	2750 (1250)	3080 (1400)
Exciter Speed	vpm	5000	5000	5000	5000
Compaction Depth	in (cm)	6 (15)	8 (20)	8 (20)	10 (25)
Travel Speed	ft/min (m/min)	69 (21)	79 (24)	86 (26)	86 (26)
Compaction Area	sqft/h (sqm/h)	2180 (280)	3000 (275)	3608 (331)	4142 (380)
Normal Operating Engine Speed³	rpm	3600	3400	3400	3400
Engine Idling Speed⁴	rpm	1400	1200	1200	1200
Engine Model Power Rating @ Normal Operating Speed	hp (kW)	Honda GX100 3 (2.2)	Honda GX120 4 (2.9)	Honda GX120 4 (2.9)	Honda GX160 5.5 (4.0)

Specifications subject to change without notice

¹Unit operating on loose gravel surface material.

²Unit operating on highly compacted coarse gravel surface material. Hearing protection is recommended and may be required by law. It is the users responsibility to assess the noise level at the operation site and determine whether hearing protection is required. ³Normal motor operating speed is factory preset. If this needs adjustment contact your nearest WINGET Sales Branch.

⁴Motor idle speed is factory preset and adjustment should not be required. If the unit needs adjustment refer to the engine owner's manual.

OPERATION

Introduction

WINGET equipment is intended for use in very severe applications. They are powered by four cycle engines and are available in different sizes and a selection of engines.

This parts manual contains only standard parts. Variations of these parts as well as other special parts are not included. Contact your local WINGET distributor for assistance in identifying parts not included in this manual.

Before Starting & Operating

- **REMEMBER!** It is the owner's responsibility to communicate information on the safe use and proper operation of this unit to the operators.
- Review ALL of the Safety Precautions listed on page 1 of this manual.
- Familiarize yourself with the operation of the machine and confirm that all controls function properly.
- Know how to STOP the machine in case of an emergency.
- Make sure hands, feet, and clothing are at a safe distance from any moving parts.
- **OIL LEVEL** - Check the oil level in the engine. For more information see "Lubrication" under the respective engine's "Owners Manual" or the Maintenance section of this manual.
- **AIR CLEANER** - Check to ensure element is in good condition and properly installed.
- **FUEL SUPPLY** - The engines on WINGET equipment require an automotive grade of clean, fresh, unleaded gasoline.
- **FUEL FILTER** - If clogged or damaged, replace.

Starting Engine

1. Open fuel valve.
2. Turn engine switch to "ON".
3. Set throttle to idle.
4. Choke engine if necessary (you may not need to choke a warm engine).
5. Pull starter rope repeatedly until engine starts.
6. Move choke lever to open position.
7. Allow engine to warm up for one or two minutes

Operating

1. After engine warms up, pull throttle lever to accelerate engine rpm. Plate will begin vibrating and moving in a forward direction.
2. The number of passes need to reach the compaction level desired, depends on the machine model, soil type, and moisture. Maximum compaction of the soil has been reached when excessive kickback is noticed in the compactor or when indicated by soil testing methods. The unit is intended for use on loose gravel, ground, or aggregate. DO NOT operate on extremely hard surfaces such as concrete.
3. This unit is designed to operate on nominally level surfaces. The operator must take necessary precautions when working on sloped surfaces to prevent personal injury and/or damage to the unit. The compactor cannot advance up inclines.
4. If a significant amount of dust is being created from the unit's operation is recommended that the operator wear a dust mask.

Lifting/Transportation

1. The unit may be lifted by the upper section of the engine cage as indicated in the Decal Locations section of the manual. Do not lift the unit by the handle assembly as it may cause injury or damage.
2. The unit should be transported in the upright position and secured or tied down by the engine cage or exciter plate. DO NOT lay the machine on its sides or top!

Stopping Engine

1. Move throttle to idle position.
2. Let engine idle for one or two minutes.
3. Turn switch on engine to "STOP" position.
4. Turn off fuel valve.



WARNING



Always stop the engine before:

Adding fuel.

Leaving the equipment unattended for any amount of time.

Before making any repairs or adjustments to the machine.

MAINTENANCE

WARNING

Always exercise the stopping procedure before servicing or lubricating the unit.

After servicing the unit, replace and fasten all guards, shields, and covers to their original positions before resuming operation.

CAUTION

Always verify fluid levels and check for leaks after changing fluids.

Do not drain oil onto ground, into open streams, or down sewage drains.

Maintenance Schedule

SYSTEM	MAINTENANCE	EACH USE	EVERY 50 HOURS	EVERY 250 HOURS	YEARLY
Engine	Refer to engine operator/owner manual	X			
Exciter	Check oil level		X		
	Check for oil leaks	X			
	Change oil			X	X
	Tighten Bolts ¹		X		X
Hardware	Check and tighten as needed ¹		X		X
Shock mounts	Check for cracks or tears		X		X

¹Check all hardware after the first 5 hours of use, then follow the maintenance schedule.

Fluid Levels

SYSTEM	FLUID VOLUME	RECOMMENDED OIL
Exciter	4 oz.	WINGET [®] Exciter Oil ¹
Engine	Refer to engine operator/owner manual	

¹WINGET #01058---- 6-Pack (8 oz. bottles)
¹WINGET #17320---- 1 quart (32 oz.)

Engine Maintenance

Refer to the engine owner's manual for maintenance intervals and procedures.

Disassembly Instructions

CAUTION

Assembly and Disassembly should be performed by a service technician who has been factory trained on WINGET equipment.

The unit should be clean and free of debris, especially around exciter covers, to prevent foreign materials from entering the internal unit assemblies. Steam cleaning is recommended.

Engine Removal/Installation

1. To work on the Engine only remove the beltguard (item #21) and remove the four Engine mounting Screws (item #27) from the mounting plates (item #26) (refer to fig. 3 & 4). Slide engine forward and turn clockwise.
2. Remove the belt (item #32) from the engine clutch (item #30) and slide the engine out of the engine rollcage (item #20) (refer to fig. 3). Installation is just the opposite of removal.

Exciter Disassembly

1. Remove the beltguard (item #21) from the rollcage (item #20). Remove the four screws (item #4 & #10) holding the Engine Deck to the Shock mounts on the Plate housing. Remove the belt (item #32) from the

Exciter Pulley and remove Engine Deck, with the Engine and Handle attached, from the plate assembly. (refer to fig. 3).

2. Clean the entire plate housing, especially around the Exciter Covers (items #10 & #11). Steam cleaning is recommended.

1. Remove the V-Pulley (item #1) by removing the Screw (item #15). Remove the Exciter shaft/pulley key (item #7) (refer to fig. 2).

2. Remove the Exciter tube caps (items #10 & #11) by unscrewing them counter-clockwise (refer to fig. 2).

3. Remove the exciter shaft (item #12) by lightly tapping on the pulley end towards the opposite side. The ball bearing (item #4) opposite the pulley end will also be removed on the exciter shaft. The ball bearing (item #4) can be removed from the Exciter shaft by pressing it off the end. NOTE: Check the Exciter shaft pulley end for the washer seal (item #2). If it is not there search the pulley shaft end (item #1) or the plate housing (refer to fig. 2).

4. Remove the Ball bearing (item #17) and oil seal (item #2) from the plate housing on the pulley end by evenly pressing axially from the inside. Check the oil seal and ball bearing for deformation or damage and replace it if necessary. The oil seal may also be removed from the bearing by the same process (refer to fig. 2).

5. Inspect all parts for wear and damage. Replace as required.

Assembly Instructions



CAUTION



Prior to assembly wash all parts in a suitable cleaner or solvent.

Check moving parts for wear and failure. Refer to the Replacement Chart for tolerances and replacement cycles.

Replace all seals and gaskets at every overhaul or disassembly.

For torque setting other than those listed, see torque chart.

Exciter Assembly

The assembly of compactor and exciter is the reverse of the disassembly procedure with the addition of the following (refer to fig. 2).

1. Clean the inside surface of the Exciter tube caps (items #10 & #11). Insert the gaskets (item #13) (refer to fig. 2).

2. For the CP305AV: Apply a bead of non-permanent "Loctite" #242 thread lock or equal to the Exciter tube cap threads @ 3 equally spaced locations to prior to their installation. For the CP455AV: Apply liberal beads of non-permanent "Loctite" #640 thread lock or equal to the Exciter tube cap threads @ 6 equally spaced locations prior to their installation. Follow the application instructions for the "Loctite" material being used.

3. Apply a light coating of Exciter Oil to the Ball bearings (item #4 & #17), Washer seal (item #2), Shaft key (item #7), Exciter shaft (item #12), and Oil seal (item #3) mating surfaces immediately prior to assembly (refer to fig. 2).

4. Press the Ball bearing (item #4) into the Exciter Plate Housing opposite the pulley end by evenly applying pressure to the bearing. Insert the Exciter shaft (item #12) into the housing and Ball bearing (item #4) tapping lightly as required until it is fully seated on the bearing. **NOTE: The shaft must be oriented as shown in fig. 2.**

5. Press the Ball bearing (item #17) into the pulley end of the Plate Housing until fully seated. Insert Washer seal (item #2) onto the Exciter shaft (item #12) on the pulley end (refer to fig. 2).

6. After the Exciter Plate Assembly is fully assembled pour the specified amount of Exciter Oil into the Exciter Housing through the drain/filler hole (refer to Checking Exciter Oil in the Service Instructions section).



WARNING



Failure to use WINGET Exciter Oil may result in premature failure of the Exciter.

SERVICE

Assembly and disassembly should be performed by a service technician who has been factory trained on WINGET equipment. The unit should be clean and free of debris. Pressure washing before disassembly is recommended.

- Prior to assembly, wash all parts in a suitable cleaner or solvent.
- Check moving parts for wear and failure. Refer to the Replacement section in this manual for tolerance and replacement cycles.
- All shafts and housings should be oiled prior to pressing bearings. Also, ensure that the bearings are pressed square and are seated properly.
- All bearings should be replaced when rebuilding any exciter or gearbox.
- All gaskets and seals should be replaced after any disassembly.

Torque Chart

SIZE	GRADE 2	GRADE 5	GRADE 8
1/4-20	49 in•lbs	76 in•lbs	9 ft•lbs
1/4-28	56 in•lbs	87 in•lbs	10 ft•lbs
5/16-18	8 ft•lbs	13 ft•lbs	18 ft•lbs
5/16-24	9 ft•lbs	14 ft•lbs	20 ft•lbs
3/8-16	15 ft•lbs	23 ft•lbs	33 ft•lbs
3/8-24	17 ft•lbs	26 ft•lbs	37 ft•lbs
7/16-14	24 ft•lbs	37 ft•lbs	52 ft•lbs
7/16-20	27 ft•lbs	41 ft•lbs	58 ft•lbs
1/2-13	37 ft•lbs	57 ft•lbs	80 ft•lbs
1/2-20	41 ft•lbs	64 ft•lbs	90 ft•lbs
9/16-12	53 ft•lbs	82 ft•lbs	115 ft•lbs
5/8-11	73 ft•lbs	112 ft•lbs	159 ft•lbs
5/8-18	83 ft•lbs	112 ft•lbs	180 ft•lbs
3/4-16	144 ft•lbs	200 ft•lbs	315 ft•lbs
1-8	188 ft•lbs	483 ft•lbs	682 ft•lbs
1-14	210 ft•lbs	541 ft•lbs	764 ft•lbs
1-1/2-6	652 ft•lbs	1462 ft•lbs	2371 ft•lbs
M 6	3 ft•lbs	4 ft•lbs	7 ft•lbs
M 8	6 ft•lbs	10 ft•lbs	18 ft•lbs
M 10	10 ft•lbs	20 ft•lbs	30 ft•lbs

CONVERSIONS

in•lbs x 0.083 = ft•lbs
 ft•lbs x 12 = in•lbs
 ft•lbs x 0.1383 = kg•m
 ft•lbs x 1.3558 = N•m

Service Tools

Part No.	Description
01058	6-Pack Exciter Oil
01629	Test Mat, Rubber

Checking Exciter Oil

Change Exciter Oil every year or 500 hours, which ever comes first. WINGET recommends the use of its own oil exclusively (ref. page 6, Exciter Oil). Failure to do so could result in premature exciter failure.

1. Clean debris from exciter covers and plate.
2. Remove plug on exciter housing (see figure 1).
3. The oil level should be up to or just below the specified levels at all times. With the dipstick as close to vertical and the plate as level as possible, check the oil level with a dipstick approx. 1/4" diameter or less & the exciter shaft rotated to the position shown in Fig. 1. If the oil level is low, add Exciter Oil to the exciter. Drain any excess oil from the exciter (refer to the "Changing Exciter Oil" section). **DO NOT OVERFILL - overfilling can result in excessive temperatures in the exciter unit.**
4. Reinstall plug using Teflon sealant.
5. Discard oil and other contaminated debris in a proper container.

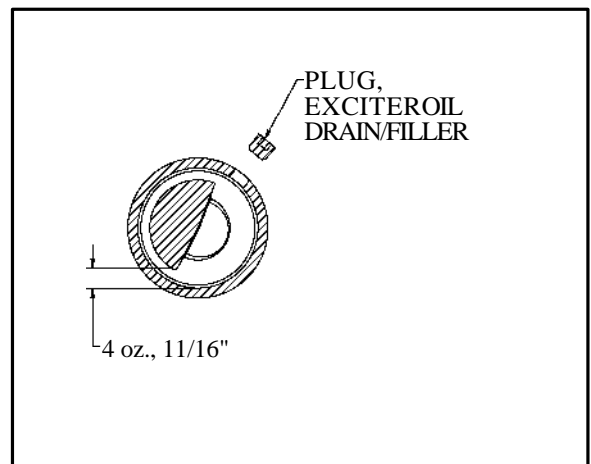


Fig. 1: EXCITER OIL LEVEL

Changing Exciter Oil

WINGET recommends the use of its own Exciter oil exclusively (ref. page 6, Exciter Oil). Failure to do this could result in premature failure of the exciter.

1. Allow the exciter to cool adequately prior to draining oil. Wearing protective gloves to prevent burning or irritating skin is recommended. Clean debris from exciter covers and plate.
2. Remove plug on exciter plate housing (see figure 1).
3. Tilt the plate on it's front top frame so oil drains from exciter housing plug hole into a drain pan. After oil is drained, tilt the plate to an upright position and clean excess oil from the plate. Don't allow debris in the housing.
4. Pour specified amount of Exciter Oil into the exciter housing. The oil level must be at the levels specified in Fig. 1. For checking oil levels refer to Checking Exciter Oil section. Drain any excess oil from the exciter. **DO NOT OVERFILL - overfilling can result in excessive temperatures in the exciter units.**
5. Reinstall pipe plug using Teflon sealant.
6. Discard oil and other contaminated debris in a proper container.

Installation, Removal, & Inspection of Exciter Drive Belt

1. Replace belt if it is damaged or cracked.
2. Removal of the belt is the opposite of installation.

1. To install the belt unbolt the beltguard from the rollcage. The engine must be loosened and moved forward. Place the belt in the engine clutch/sheave. While holding the belt in the engine sheave move the engine backward guiding the belt into the exciter sheave. When the belt is in place on both sheaves the bolts/nuts can be finger tightened. Pull the engine back from the exciter and away from the beltguard until the belt is tight. While holding the engine in position tighten 2 bolts enough to prevent the engine from moving. Check that the belt is snug and the engine aligned before you finish tightening the engine bolts. Check that the engine clutch/sheave does not rub against the beltguard during operation.

2. Apply moderate thumb pressure to the drive belt halfway between the pulleys. The belt should deflect approximately 3/8 in (9mm).

3. If the belt deflects more than 3/8 in (9mm), it must be tightened. To tighten the belt, loosen the four mounting screws holding the engine to the deck. Pull the engine back and retighten the four mounting screws holding the engine to the deck.

4. Check engine alignment & drive belt tension. Install the beltguard.

Cleanup

1. Clean dirt and debris daily.
2. If decal(s) become damaged, replace as required.
3. If repainting, **BE SURE that ALL the DECALS** which apply to your are masked properly or replaced.

Parts Replacement Cycles and Tolerances

Bearings	Replace anytime a bearing is rough, binding, discolored or removed from housing or shaft.
Clutch	Replace clutch if it does not disengage below 1800 rpm.
Engine Components	Refer to your engine manufacturer's Owner's Manual.
Hardware	Replace any worn or damaged hardware as needed. Replacement hardware should be grade 5 and zinc plated unless otherwise specified.
Safety Decals	Replace if they become damaged or illegible.
Seals & Gaskets	Replace if a leak is detected and at every overhaul or teardown.
V-Belts	Replace if cracked, torn, or stretched to the point the belt won't tension properly.

REPLACEMENT PARTS

The warranty is stated in this book on page 20. Failure to return the Warranty Registration Card renders the warranty null and void.

WINGET has established a network of reputable distributors/dealers with trained mechanics and full facilities for maintenance and rebuilding, and to carry an adequate parts stock in all areas of the country. Their sales engineers are available for professional consultation. If you cannot locate a WINGET distributor in your area, contact WINGET as listed below.

When ordering replacement parts, be sure to have the following information available:

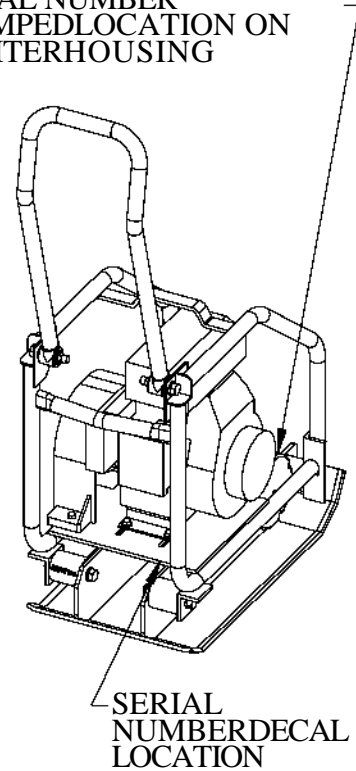
- Model and Serial Number of machine when ordering WINGET parts
- Model and Serial Number of engine when ordering engine parts
- Part Number, Description, and Quantity
- Company Name, Address, Zip Code, and Purchase Order Number
- Preferred method of shipping

REMEMBER - You own the best! If repairs are needed, use only WINGET parts purchased from authorized WINGET distributors.

Write Model Number here

Write Serial Number here

SERIAL NUMBER
STAMPED LOCATION ON
EXCITER HOUSING



The unit's serial number can be found in the following locations:

- Located on the top of the engine deck, next to the engine.
- The serial number is also stamped on the top of the exciter housing, which is located in the front of the plate.

Contact Information

WINGET Limited
PO Box 41
Edgefold Industrial Estate
Plodder Lane
Bolton, Lancs
BL4 0LR
[email: parts@winget.co.uk](mailto:parts@winget.co.uk)

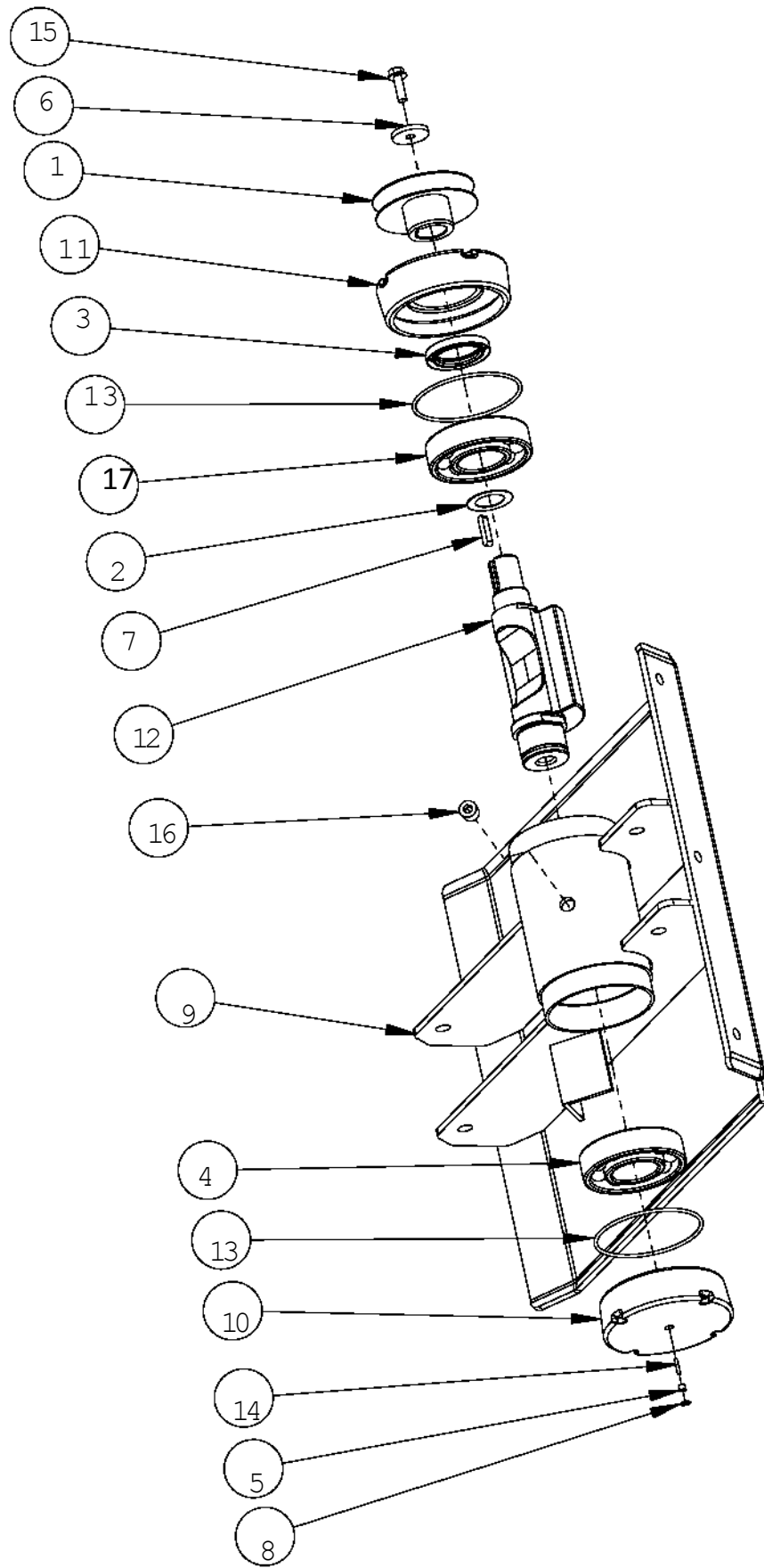


Figure 2: EXCITER ASSEMBLY

ITEM	PART NO.	DESCRIPTION	QTY
	GPS0512	CP305AV BASE PLATE ASSEMBLY, (INCL. ITEMS 1 THRU 17)	1
	GPS0514	CP355AV BASE PLATE ASSEMBLY, (INCL. ITEMS 1 THRU 17)	1
	GPS0516	CP405AV BASE PLATE ASSEMBLY, (INCL. ITEMS 1 THRU 17)	1
	GPS0525	CP455AV BASE PLATE ASSEMBLY, (INCL. ITEMS 1 THRU 17)	1
	GPS0532	PULLEY, EXCITER	1
	00062	WASHER SEAL	1
	01002	OIL SEAL	1
	GPS0524	BEARING, BALL (SEALED END)	1
	01072	FILTER, FELT	1
	M8CSW	WASHER, 1-3/8 OD x 5/16 ID	1
	GPS0528	KEY, 1/4" x 1-1/4" ROUND END	1
	01191	RETAINING RING, INTERNAL	1
	GPS012BP	CP305AV BASE PLATE	1
	GPS014BP	CP355AV BASE PLATE	1
	GPS016BP	CP405AV BASE PLATE	1
	GPS025BP	CP455AV BASE PLATE	1
	GPS0527	EXCITER END CAP (SEALED END)	1
	GPS0531	EXCITER END CAP (PULLEY END)	1
	GPS012EX	EXCITER SHAFT (CP305AV)	1
	GPS014EX	EXCITER SHAFT (CP355AV)	1
	GPS016EX	EXCITER SHAFT (CP405AV)	1
	GPS025EX	EXCITER SHAFT (CP455AV)	1
	GPS0526	GASKET, EXCITER TUBE	2
	F0205SP	PIN, SPIROL	1
	M8-20FSS	FLAT HEAD SOCKET SCREW, M8-20 OIL	1
	F0618SPP	FILLER PLUG	1
	GPS0533	BEARING, BALL (PULLEY END)	1
	01058	EXCITER OIL, WINGET 3.5 fl. oz.	

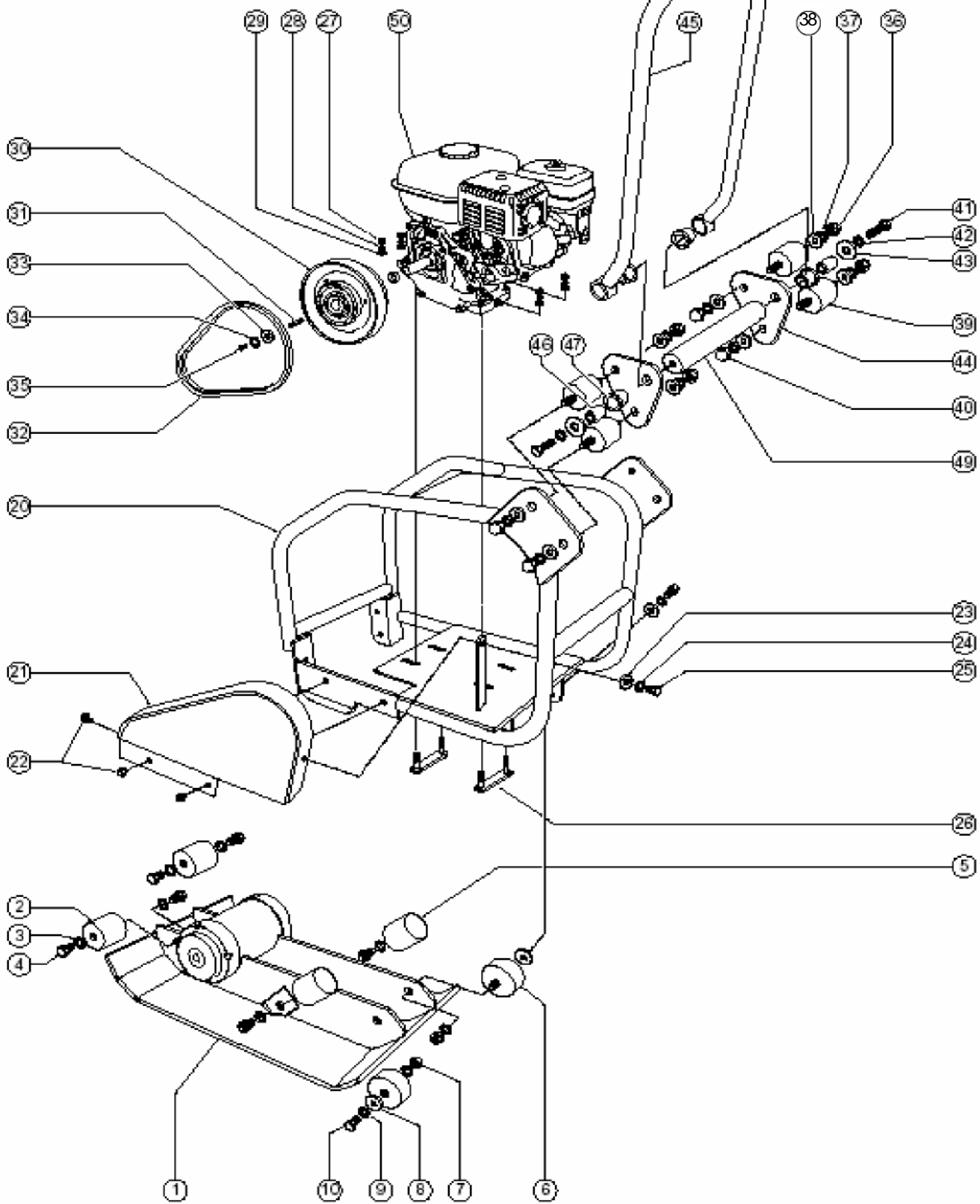


Figure 3: PLATE ASSEMBLY

ITEM	PART NO.	DESCRIPTION	QTY
1.	GPS0512	CP305AV BASE PLATE ASSEMBLY	1
	GPS0514	CP355AV BASE PLATE ASSEMBLY	1
	GPS0516	CP405AV BASE PLATE ASSEMBLY	1
	GPS0525	CP455AV BASE PLATE ASSEMBLY	1
2.	GPS0501	SHOCK MOUNT, FRONT	2
3.	M12LW	LOCK WASHER, M12	6
4.	11S05B	BOLT, M12-20	6
5.	GPS0502	BUMP STOP	2
6.	GPS0503	SHOCK MOUNT REAR (CP305AV)	2
	GPS0504	SHOCK MOUNT REAR (CP355AV/CP405AV/CP455AV)	2
7.	59S03	LOCKNUT, NYLOK M10	2
8.	267S06	PLAIN WASHER, M10	4
9.	M10LW	LOCK WASHER, M10	2
10.	11S04B	BOLT, M10-20	2
	GPS0505	ROLL CAGE (CP305AV)	1
	GPS0506	ROLL CAGE (CP355AV/CP405AV/CP455AV)	1
	GPS0507	BELT GUARD	1
	F061605FWS	BOLT	3
23.	F04PW	PLAIN WASHER	1
24.	F04LW	LOCK WASHER	1
25.	F042005HCS	BOLT	1
26.	GPS0508	ENGINE MOUNT BRACKET (CP305AV)	2
	GPS0509	ENGINE MOUNT BRACKET (CP355AV/CP405AV/CP455AV)	2
27.	59S12	LOCKNUT, NYLOK, M8	4
28.	M8LW	LOCK WASHER, M8	4
29.	267S05	PLAIN WASHER, M8	4
30.	GPS0510	CLUTCH, CENTRIFUGAL (CP305AV)	1
	GPS0511	CLUTCH, CENTRIFUGAL (CP355AV/CP405AV/CP455AV)	1
31.	00032	KEY, (3/16 SQ. x 1-5/8 LG).	1
32.	01255	DRIVE BELT, A28	1
33.	FO4CSW	COUNTER SUNK WASHER, (CP305AV)	1
	01099	COUNTER SUNK WASHER, (CP355AV/CP405AV/CP455AV)	1
34.	F05LW	LOCK WASHER (CP355AV/CP405AV/CP455AV)	1
35.	F042806FSS	BOLT, (CP305AV)	1
	F053406HCS	BOLT (CP355AV/CP405AV/CP455AV)	1
36.	M10DN	NUT, DOME HEAD, M10	4
37.	M10LW	LOCK WASHER, M10	8
38.	267S06	PLAIN WASHER, M10	8
39.	GPS0513	SHOCK MOUNT, HANDLE	4
40.	59S03	LOCKNUT, NYLOK, M10	4
41.	8S05G	BOLT, M12-55	2
42.	M12LW	LOCK WASHER, M12	2
43.	267S07	PLAIN WASHER, M12	2
44.	GPS0515	HANDLE MOUNTING PLATE	2
45.	GPS0517	HANDLE, (CP305AV)	1
	GPS0518	HANDLE (CP355AV/CP405AV/CP455AV)	1
46.	GPS0519	SPACER	2
47.	GPS0520	NYLON BUSHING, INNER	2
48.	GPS0523	NYLON BUSHING, OUTER	2
49.	GPS0521	ANTI AXIAL ROD, (CP305AV)	1
	GPS0522	ANTI AXIAL ROD (CP355AV/CP405AV/CP455AV)	1
50.	13316	ENGINE, HONDA GX100, (CP305AV)	1
	12860	ENGINE, HONDA GX120, (CP355AV/CP405AV)	1
	01444	ENGINE, HONDA GX160, (CP455AV)	1

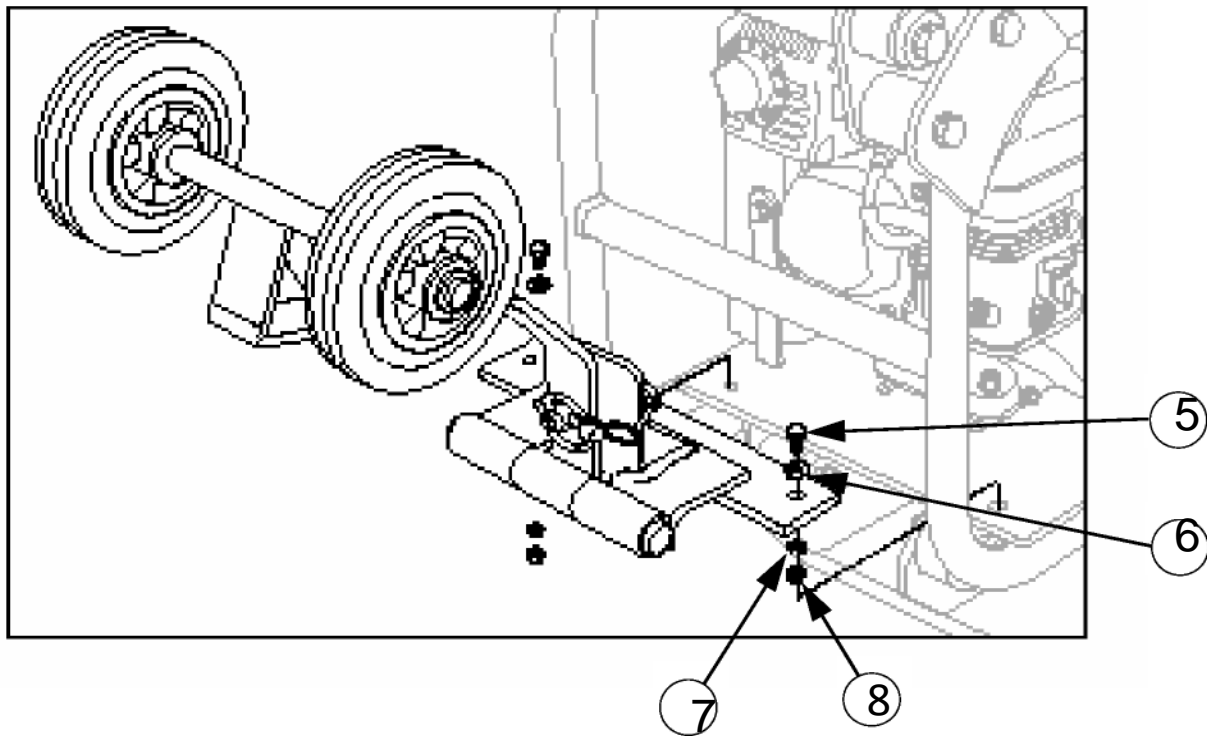
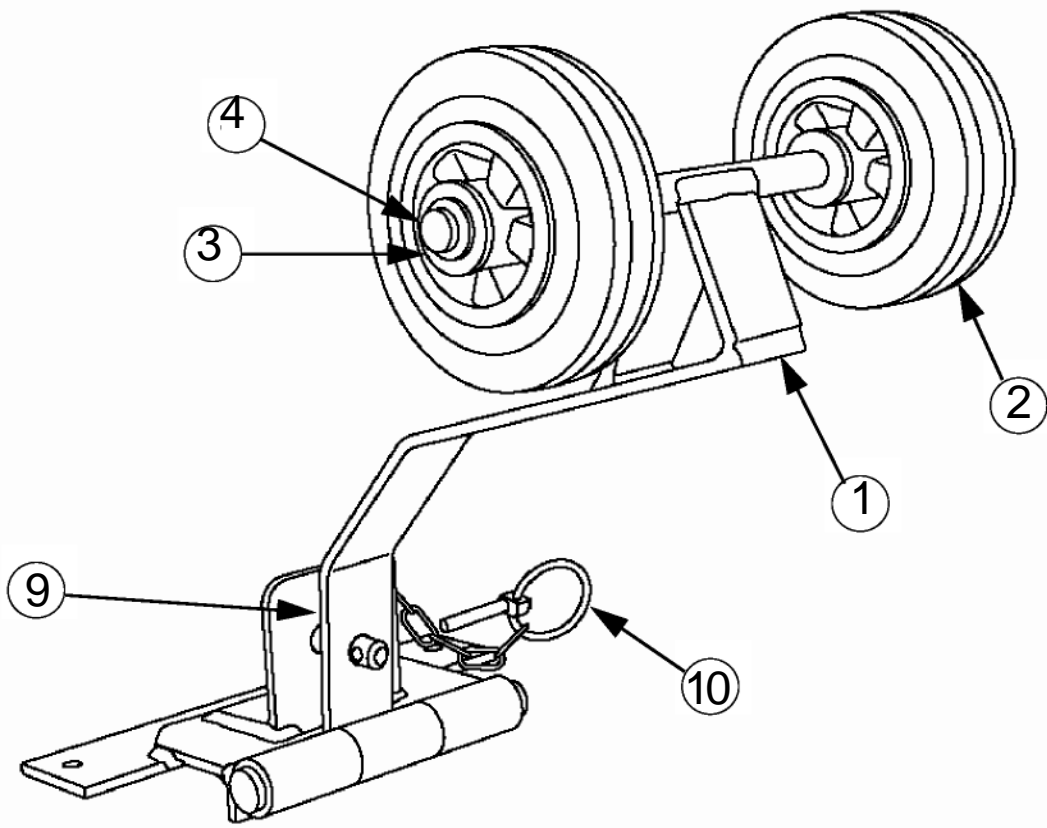
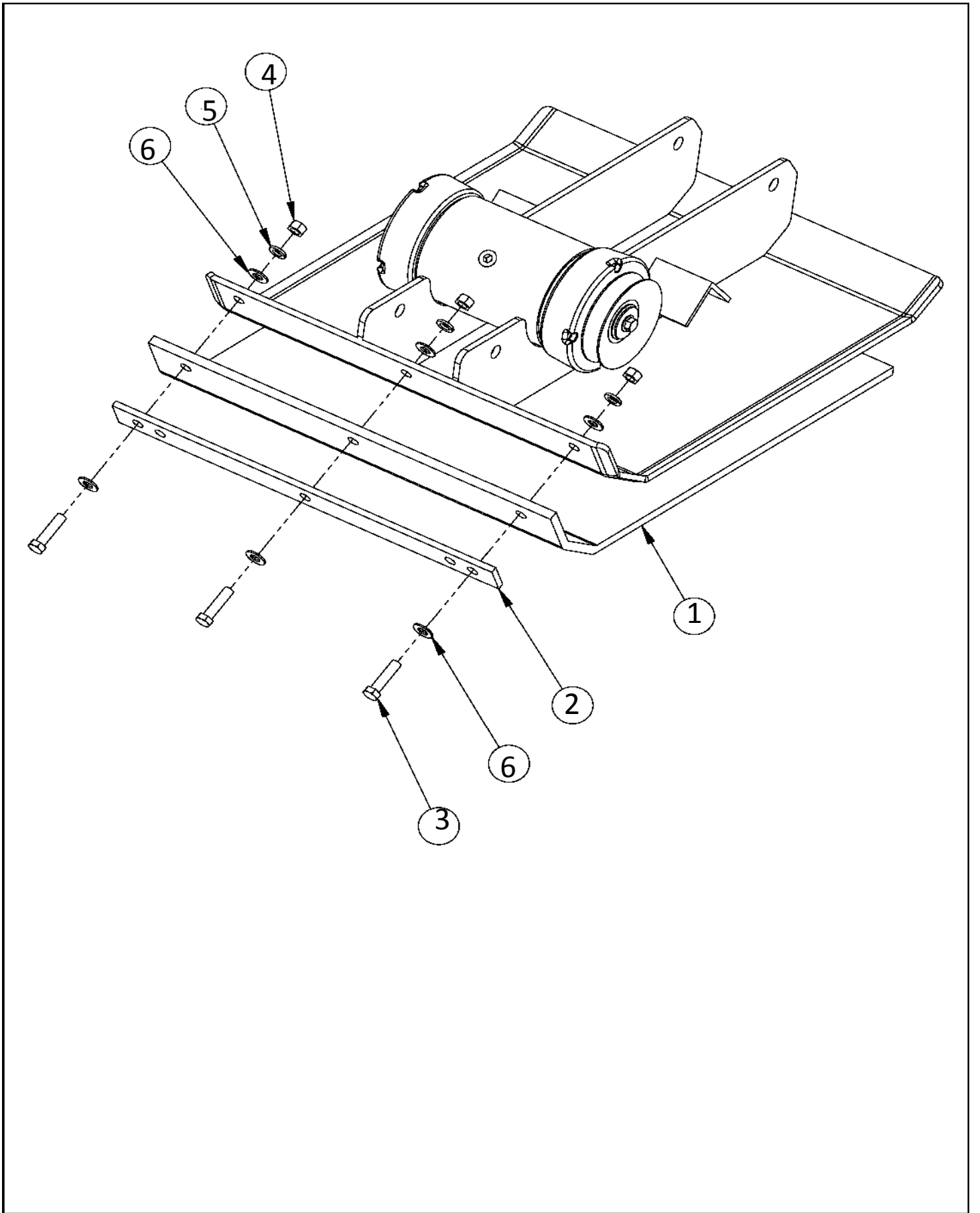


Figure 5: WHEEL KIT ASSEMBLY



WARRANTY

WHAT DOES THIS WARRANTY COVER? WINGET Limited (WINGET) warrants each New Machine against defects in material and workmanship for a period of twelve (12) months. "New Machine" means a machine shipped directly from WINGET or authorized WINGET dealer to the end user. This warranty commences on the first day the machine is sold, assigned to a rental fleet, or otherwise put to first use.

WINGET warrants each Demonstration Machine against defects in material and workmanship for a period of six (6) months. "Demonstration Machine" means a machine used by WINGET or its agents for promotional purposes. This warranty commences on the first day the machine is sold, assigned to a rental fleet, or otherwise put to first use.

This warranty covers the labor cost for replacement or repair of parts, components, or equipment on New Machines or Demonstration Machines, and WINGET shall pay labor costs at WINGET's prevailing rate to affect the warranted repair or replacement. WINGET reserves the right to adjust labor claims on a claim-by-claim basis.

This warranty covers the shipping cost of replacement parts, components, or equipment via common ground carriers from WINGET to an authorized WINGET dealer. Air freight is considered only in cases where ground transportation is not practical.

MAY THIS WARRANTY BE TRANSFERRED? This warranty is non-transferable and only applies to the original end user of a new machine or demonstration machine.

WHAT DOES THIS WARRANTY NOT COVER?

1.This warranty does not cover any Used Equipment. "Used Equipment" means any WINGET machine or equipment that is not a New Machine or a Demonstration Machine. All Used Equipment is sold **AS IS/WHERE IS WITH ALL FAULTS**.

2.This warranty does not cover any New Machine, Demonstration Machine, or their equipment, parts, or components altered or modified in any way without WINGET's prior written consent. This warranty does not cover the use of parts not specifically approved by WINGET for use on WINGET products. This warranty does not cover misuse, neglect, shipping damage, accidents, acts of God, the operation of any New Machine or Demonstration Machine in any way other than recommended by WINGET in accordance with its specifications, or any other circumstances beyond WINGET's control. This warranty does not cover any New Machine or Demonstration Machine repaired by anyone other than WINGET factory branches or authorized WINGET distributors.

3.This warranty does not cover, and WINGET affirmatively disclaims, liability for any damage or injury resulting directly or indirectly from design, materials, or operation of a New Machine or Demonstration Machine or any other WINGET product. WINGET's liability with respect to any breach of warranty shall be limited to the provisions of this document and in no event shall exceed an amount equal to the purchase price of the New Machine or Demonstration Machine purchased from WINGET.

4.This warranty does not cover engines, motors, and other assemblies or components produced by other manufacturers and used on a New Machine or Demonstration Machine, as said engines, motors, and other assemblies or components may have warranties provided by the manufacturer thereof. This warranty does not apply to consumable items, such as v-belts, filters, trowel and screed blades, seals, shock mounts,

batteries, and the like, all of which are sold AS IS/WHERE IS WITH ALL FAULTS.

5.This warranty does not cover the cost of transportation and other expenses which may be connected with warranty service but not specifically mentioned herein.

6.This warranty does not cover any updates to any New Machine, Demonstration Machine, or any other WINGET product. WINGET reserves the right to improve or make product changes without incurring any obligation to update, refit, or install the same on New Machines or Demonstration Machines previously sold.

WHAT MUST YOU DO TO OBTAIN WARRANTY COVERAGE? Each New Machine or Demonstration Machine is accompanied by a Warranty Registration Card. You must sign, date, and return the Warranty Registration Card to the place of origin of the New Machine or Demonstration Machine to WINGET within ten (10) days after purchase, assignment to a rental fleet, or first use. This signed warranty card is the buyer's affirmation that he has read, understood, and accepted the warranty at the time of purchase. Failure to return the warranty card as specified herein renders the warranty null and void. In order to receive warranty coverage consideration, warranty claims must be submitted within thirty (30) days after the New Machine or Demonstration Machine fails. Warranty claims must be submitted to WINGET and written authorization for the return of merchandise or parts under the warranty must be obtained before shipment to WINGET.

WHAT WILL WINGET DO? WINGET's obligation under this warranty is limited to the replacement or repair of parts for a New Machine or Demonstration Machine at WINGET factory branches or at authorized WINGET distributors, and such replacement or repair is the exclusive remedy provided hereunder. Labor must be performed at an authorized WINGET distributor. WINGET reserves the right to inspect and render a final decision on each warranty case, and WINGET's repair or replacement is solely within the discretion of WINGET.

IT IS EXPRESSLY AGREED THAT THIS SHALL BE THE SOLE AND EXCLUSIVE REMEDY UNDER THIS WARRANTY. UNDER NO CIRCUMSTANCES SHALL WINGET BE LIABLE FOR ANY COSTS, LOSS, EXPENSE, DAMAGES, SPECIAL DAMAGES, INCIDENTAL DAMAGES, OR PUNITIVE DAMAGES ARISING DIRECTLY OR INDIRECTLY FROM THE USE OF THE NEW MACHINE OR DEMONSTRATION MACHINE WHETHER BASED UPON WARRANTY, CONTRACT, NEGLIGENCE, STRICT LIABILITY, OR ANY OTHER LEGAL THEORY.

THE FOREGOING WARRANTY IS EXPRESSLY IN LIEU OF ALL OTHER WARRANTIES, EXPRESS OR IMPLIED, INCLUDING THE WARRANTIES OF MERCHANTABILITY, FITNESS FOR USE, AND FITNESS FOR A PARTICULAR PURPOSE, AND ALL OTHER OBLIGATIONS OR LIABILITY ON WINGET'S PART. WINGET NEITHER ASSUMES NOR AUTHORIZES ANY OTHER PERSON TO ASSUME ON BEHALF OF WINGET ANY OTHER LIABILITY OR WARRANTY IN CONNECTION WITH THE SALE OR SERVICE OF ANY NEW MACHINE, DEMONSTRATION MACHINE, OR ANY OTHER WINGET PRODUCT.



WARNING



CALIFORNIA PROPOSITION 65 WARNING

Engine exhaust and some of its constituents are known in the state of California to cause cancer, birth defects, and other reproductive harm.